

# Enbeam 144 Fibre Dome Enclosure

Item Code: 208-503

**excel**  
without compromise.



✕ Up to 144 Fibre

✕ Hinged Splice Tray holds up to 24 heatshrink splice protectors

✕ IP68

✕ UV Resistant

✕ Termination and splice kit included

✕ Cable entry/exit 4 round 1 x uncut

## Product overview

The Excel Enbeam Dome enclosure allows up to 144 fibres to be installed using compression glands to seal the unit, allowing quick and simple installation methods, without the need for specialist tools. Its IP68 rating allows the unit to be externally mounted on walls, pole or pit applications whilst retaining its performance capability.

## Product specifications

Features	Values
Type of fastening	Screw
Suitable for type of fibre	Multi mode/single mode
IP-rating	IP68
Width	230 mm
Height	450 mm

## Additional specifications

Features	Values
Feature	Value
Weight	4.2 to 4.8 kgs
Maximum number of splice trays	6

# Enbeam 144 Fibre Dome Enclosure



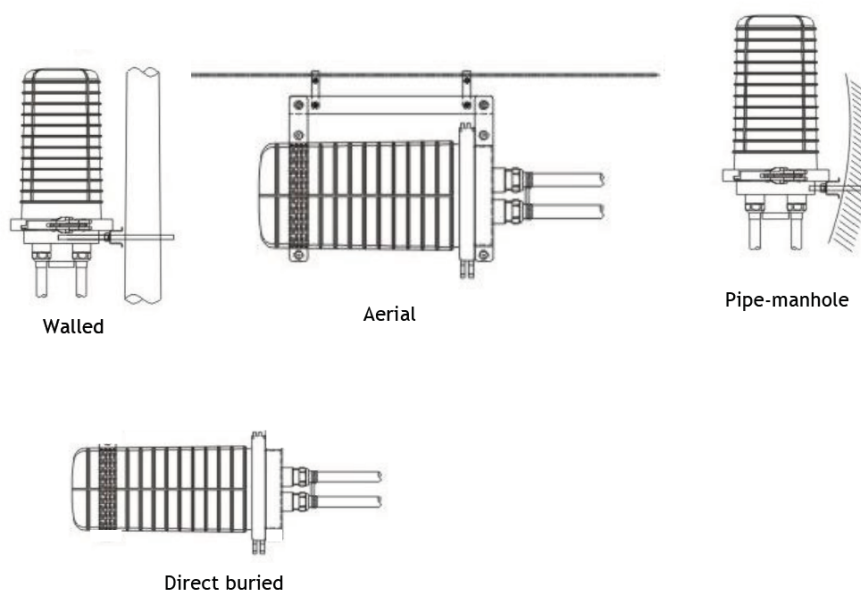
Item Code: 208-503

Maximum number of fibre per splice tray	24
Standard cable entry point	4
Cable diameter	8mm to 17.5mm
Uncut cable entry point	1
Sealing method	Mechanical
Material	Polypropylene
Colour/Finish	Black
Operating temperature	-40°C to +60°C
UV resistant	Yes

## Included accessories

Accessories	Quantity
Splice protectors	up to 144
Nylon tie	12
Pole mounting bracket	1
Insulation tape	1 reel
Wall fixings	2
Rubber sealing glands	8
Blanking plugs	5
Allen key	1

## Product drawing



## Standards

Applicable standard	Detail
RoHS	Restriction of Hazardous Substances - Compliant
IEC 61754-1:2013	Fibre optic interconnecting devices and passive components - Fibre optic connector interfaces - Part 1: General and guidance
ISO/IEC 11801-1:2017	Information technology - Generic cabling for customer premises: Part 1 General Requirements
EN 50173-1:2011	Information technology. Generic cabling systems - General requirements

## Part number table

Part Number	Description
208-500	Enbeam 48 Fibre Dome Enclosure
208-501	Enbeam 72 Fibre Dome Enclosure
208-502	Enbeam 96 Fibre Dome Enclosure
208-503	Enbeam 144 Fibre Dome Enclosure

# Enbeam 144 Fibre Dome Enclosure

Item Code: 208-503



Excel is a world class premium performing end to end infrastructure solution designed, Manufactured, supported and delivered without compromise.

Contact us at [sales@excel-networking.com](mailto:sales@excel-networking.com)



E&OE. Excel is a registered trade name of Mayflex Holdings Ltd.