

**ODU MEDI-SNAP®**



*A perfect alliance.*

**Miniature Circular Connectors  
with Push-Pull Locking  
Made of Plastic or Metal**



## Miniature Circular Connectors with Push-Pull Locking for Medical Applications



### Applications

- Medical
- Test and measure equipment
- Industrial

### Features

- Versatile coding possibilities (colour-coordinated and mechanical)
- Low weight
- Very high chemical resistance
- 2,000 mating cycles and more
- Simplest assembly
- Autoclaveable, sterilisable

**All shown connectors are according to DIN EN 61984:2009 connectors without breaking capacity (COC).**

All dimensions in mm. Most of the pictures are illustrations. All data and specifications subject to change without notice.

ODU MEDI-SNAP is UL-listed under File E110586 00RT03566.

Issue: 2015-01

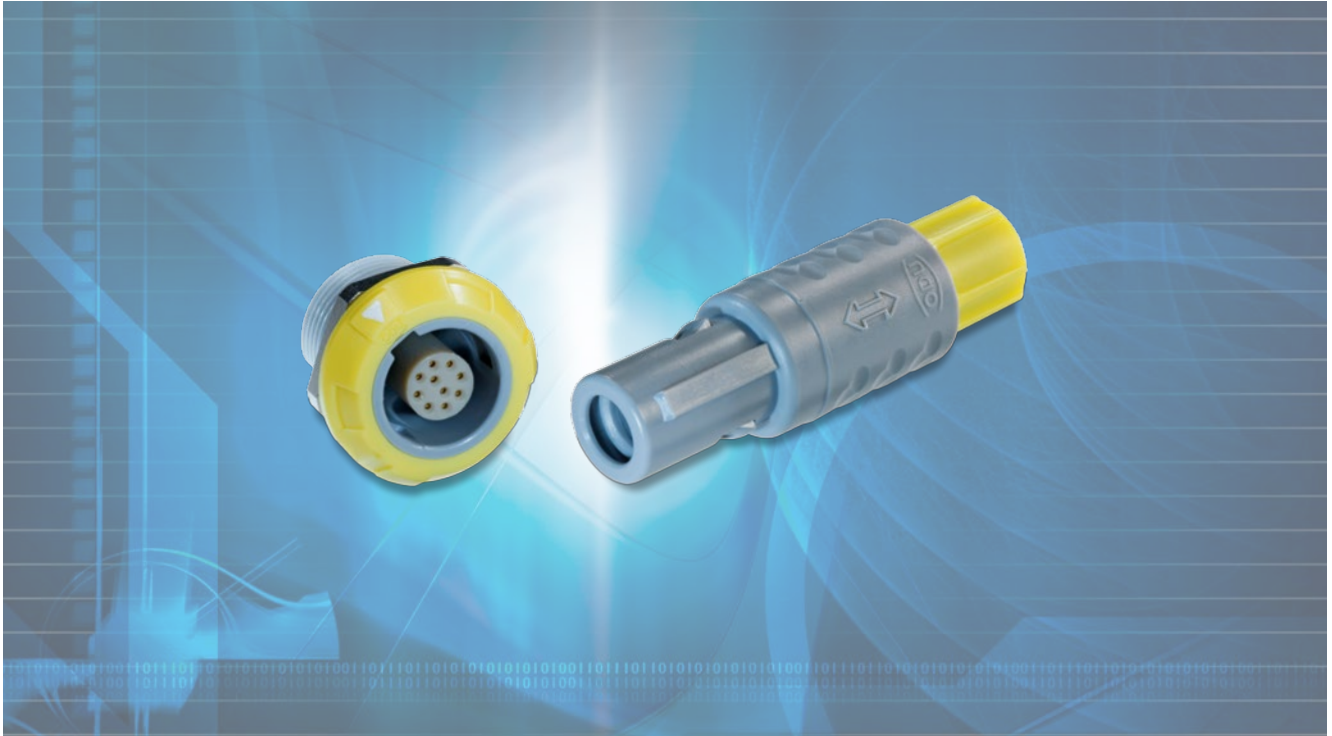
## Table of Contents (Part I)

Chapter		From page	
<b>1</b>	<b>Product description</b>	<b><u>5</u></b>	
	The ODU MEDI-SNAP family of miniature circular connectors features Push-Pull locking	<u>6</u>	
	Important issues at a glance	<u>7</u>	
	The Push-Pull locking principle	<u>8</u>	
	Available housing sizes	<u>8</u>	
	Materials and termination technologies	<u>9</u>	
	Turned contact	<u>9</u>	
<b>2</b>	<b>Plastic housing, size 1</b>	<b><u>11</u></b>	
	Housings	<u>12</u>	
	Details for the part number key (keying, housing materials, plastic cable collet, colour coding, angled print contact in the receptacle)	<u>17</u>	
<b>3</b>	<b>Metal housing, size 1</b>	<b><u>21</u></b>	
	Features metal finish	<u>22</u>	
	Housings	<u>23</u>	
	Details for the part number key (keying, housing materials, plastic cable collet, colour coding, angled print contact in the receptacle)	<u>27</u>	
<b>4</b>	<b>Plastic housing, size 2</b>	<b><u>31</u></b>	
	Housings	<u>32</u>	
	Details for the part number key (keying, housing materials, plastic cable collet, colour coding)	<u>35</u>	
<b>5</b>	<b>Contact inserts</b>	<b><u>39</u></b>	
	Insulator material	<u>40</u>	
	Size 1	<u>41</u>	
	Size 2	<u>43</u>	
	Contact type / surface	<u>44</u>	
	Termination cross-section for turned contacts	<u>45</u>	
	PCB layouts for print contacts	<u>46</u>	
<b>6</b>	<b>Accessories</b>	<b><u>49</u></b>	
	Silicone cable bend relief for size 1 and size 2	<u>50</u>	
	Protective cover	<u>51</u>	
	Cable collets and nuts size 1	<u>52</u>	
	Back nuts size 1	<u>53</u>	
<b>7</b>	<b>Tools</b>	<b><u>55</u></b>	
	Crimping tools / assembly tools	<u>56</u>	
	Crimping and removal tools for crimp contacts	<u>56</u>	
	Spanner wrench	<u>57</u>	
	Nutdriver for receptacle front nut	<u>58</u>	
	Removal tool for crimp-clip-contacts	<u>58</u>	

## Table of Contents (Part II)

Chapter		From page	
	<b>Assembly instructions</b>	<b><a href="#">59</a></b>	
	Weblink for assembly instructions	<a href="#">60</a>	
<b>8</b>	<b>Special solutions</b>	<b><a href="#">61</a></b>	
	Application specific special solutions	<a href="#">62</a>	
	Disposable Break-Away connectors	<a href="#">63</a>	
	Plastic receptacle IP 50	<a href="#">64</a>	
	In-line receptacle metal housing	<a href="#">65</a>	
	Application specific applications	<a href="#">66</a>	
<b>9</b>	<b>Technical information</b>	<b><a href="#">67</a></b>	
	International protection (IP) classes DIN EN 60 529	<a href="#">68</a>	
	Housing materials / surface finish	<a href="#">69</a>	
	Material	<a href="#">69</a>	
	Termination technologies	<a href="#">70</a>	
	Conversions AWG – cross section	<a href="#">71</a>	
	Current load – contacts	<a href="#">72</a>	
	Operating voltage acc. to SAE AS 13441-method 3001.1	<a href="#">73</a>	
	Autoclaving of ODU MEDI-SNAP connectors	<a href="#">74</a>	
	Technical terms / definitions / information	<a href="#">75</a>	
<b>10</b>	<b>Company information</b>	<b><a href="#">79</a></b>	
	Quality management	<a href="#">80</a>	
	Your partner in many application areas	<a href="#">81</a>	
	Overview – all Push-Pull connectors series from ODU	<a href="#">82</a>	
	The complete ODU product range	<a href="#">83</a>	
	Everything from one source	<a href="#">84</a>	
	Application specific connectors	<a href="#">85</a>	
	<b>Telefax inquiry</b>	<b><a href="#">87</a></b>	
	<b>The part number key</b>	<b><a href="#">88</a></b>	

## Product Description



## The ODU MEDI-SNAP® Family of Miniature Circular Connectors with Push-Pull Locking

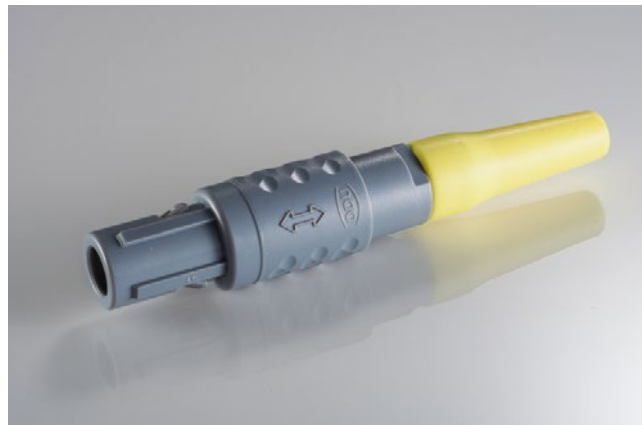
Circular connectors are generally available with several locking mechanisms.

### The most frequently used are

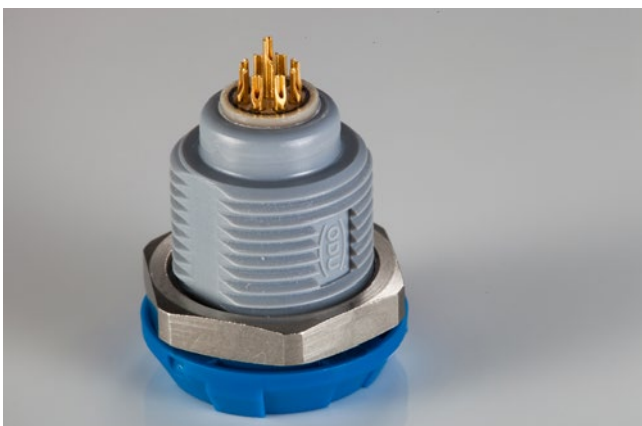
- Screw locking
- Bajonett locking
- Push-Pull locking

Push-Pull connectors have a very simple locking mechanism:

- As the plug is pushed into the receptacle, locking fingers on the plug snap into the receptacle creating a reliable connection between plug and receptacle.
- Pulling on the cable or the rear of plug causes the locking fingers to grab harder and a separation of plug and receptacle is almost impossible. Pulling on the outer plug housing causes the locking fingers to retract and the plug and receptacle separate easily.



## Important Issues at a Glance



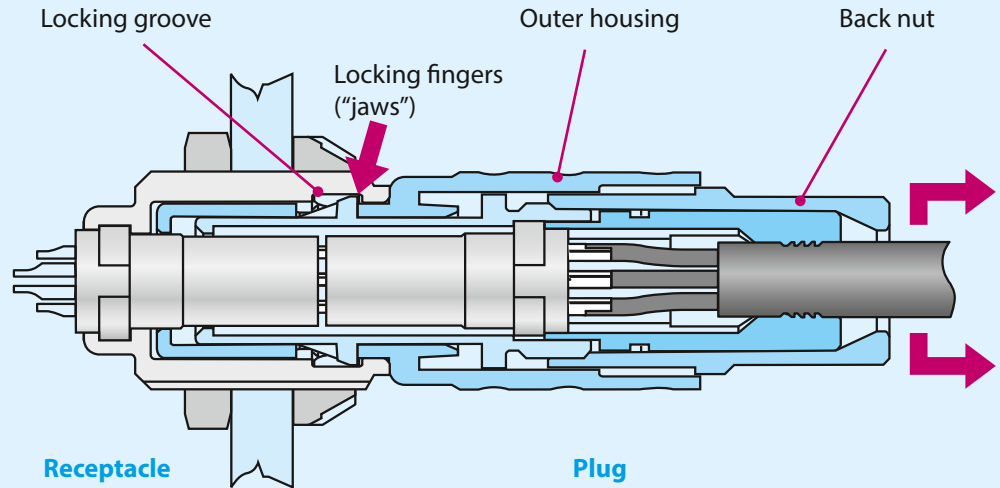
### Advantages

- Push-Pull locking principle
- Keying with pin and groove
- Mating cycles: more than 2,000 possible
- Connection with plastic housing available in 2 sizes, outer diameter from 14 mm up to 18.5 mm
- Number of contacts 2 to 26 positions
- Special contact configurations such as fibre-optic and fluid possible
- Contacts with solder, crimp and print terminations
- Operation temperature: -50° C up to +120° C  
Short term (such as autoclaving) resistant up to +134° C
- High efficiency because of:
  - Simplest assembly of the plug (blind assembly)
  - Cost-effective solutions
  - Sterilisability: housing made of PEI: autoclaveable / steam sterilisation
- Plastic housing touch proof
- Lightweight
- Low insertion forces
- Housing non magnetic (plastic housing)
- Very high chemical resistance
- RoHS compliance

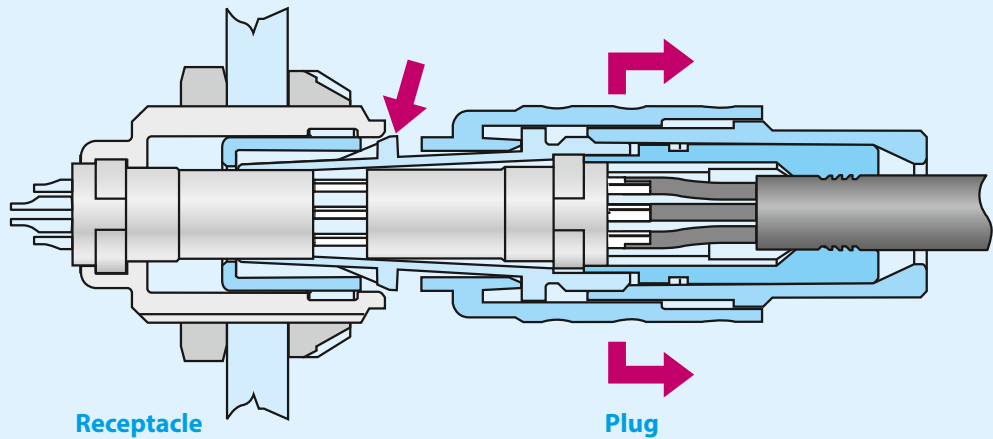
The connectors ODU MEDI-SNAP meet the requirements of the guide line 2002/95/EG.

## The Push-Pull Locking Principle

Pulling on the cable or on the back nut causes the "jaws" to grip harder into the locking groove in the receptacle. A separation is virtually impossible.

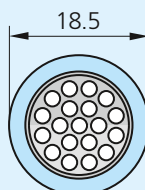
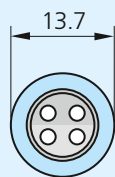


Pulling on the outer plug housing disengages the "jaws" from the locking groove and the connector separates easily.



## Available Housing Sizes

Outer diameter (plug)



Scale 1:1

Size

1

2



## Materials and Termination Technologies Turned Contact

### Applications

	Insulator material PEEK	Housing material PSU	Contact material Ms
General application requirements (-50° C to +170° C)	●	●	
Connectors which are autoclaveable (+134° C, see page 74)	●	●	●

### Termination technologies

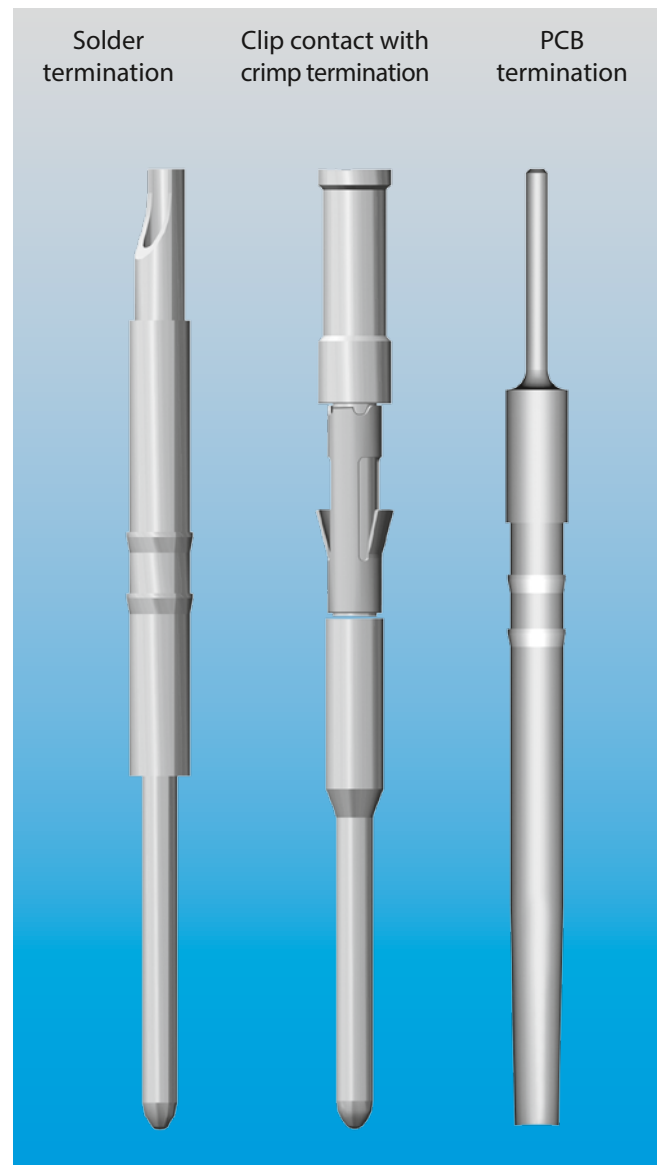
	Insulator material PEEK	Contact material Ms
Crimp termination	●	●
Solder termination	●	●
Printed circuit board (PCB) termination	●	●

Turned contacts are available in the diameters 0.5 mm to 2.0 mm. The contacts are available with following terminations: **Solder, crimp and print.**

Mating cycles > 5,000 (Housing 2,000)  
 Material Brass  
 Plating Au

**For information regarding diameter, termination styles and current carrying capacity please see inserts section.**

### Standard contacts





## Plastic Housing, Size 1 IP 50, IP 64 and IP 67



Plastic Housing,  
Size 1



**Part Number Key See Fold-Out  
Page Inside Back Cover**



## Straight Plug

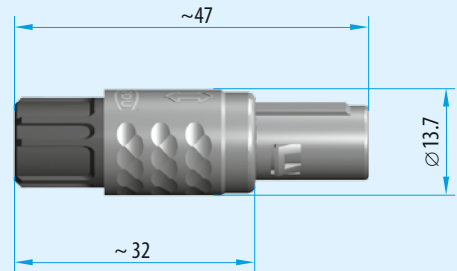
Plastic Housing,  
Size 1

### Connector type

1	2	3	4	5	6	7	8	9	10	11	12	13	14	15	16	17	18	19	
			1	M			-	P											

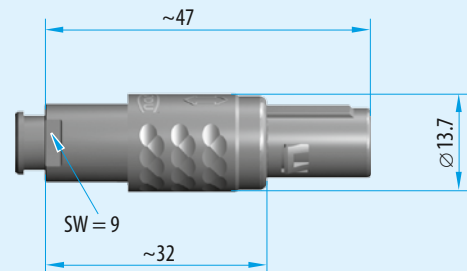
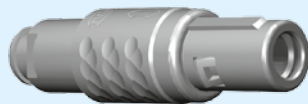
S 1 0

Style 1: IP 50, with standard back nut



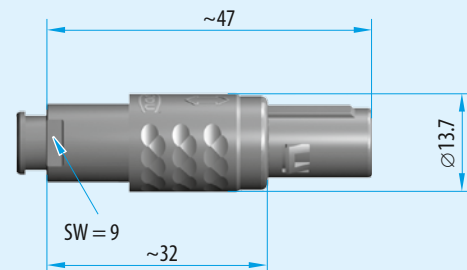
S 2 S

Style 2: IP 50, with back nut for cable bend relief<sup>1)2)</sup>



S 4 S

Style 4: IP 64, with back nut for cable bend relief<sup>1)2)</sup>



#### Technical data

- Contact inserts see from page 41
- Explanation to the protection classes see page 68
- S1 with colour coding

<sup>1)</sup> Cable bend reliefs have to be ordered separately (see page 50).

<sup>2)</sup> Back nuts for cable bend reliefs have to be ordered in the same colour as the connector housing. The colour coding is based on the cable bend relief.

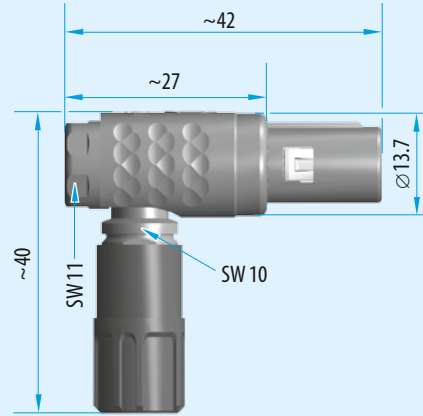
## Right-Angled Plug

### Connector type

1	2	3	4	5	6	7	8	9	10	11	12	13	14	15	16	17	18	19
			1	M			-	P										

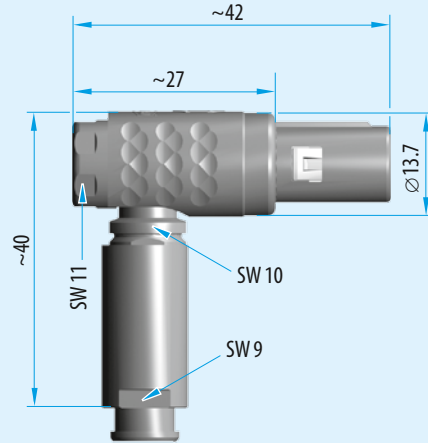
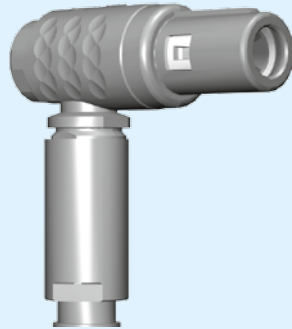
W 1 0

Style 1: IP 50, with standard back nut



W 2 S

Style 2: IP 50, with back nut for cable bend relief<sup>1) 2)</sup>



### Technical data

- Contact inserts see from page 41
- Explanation to the protection classes see page 68
- W1 with colour coding

<sup>1</sup> Cable bend reliefs have to be ordered separately (see page 50).

<sup>2</sup> Back nuts for cable bend reliefs have to be ordered in the same colour as the connector housing. The colour coding is based on the cable bend relief.

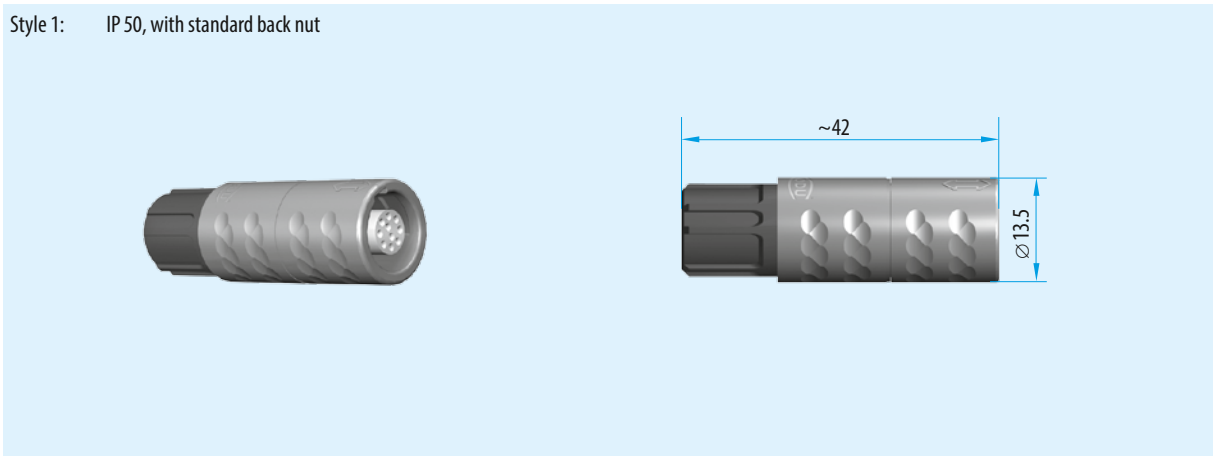
## In-Line Receptacle

Connect to Plug for Cable to Cable Connection

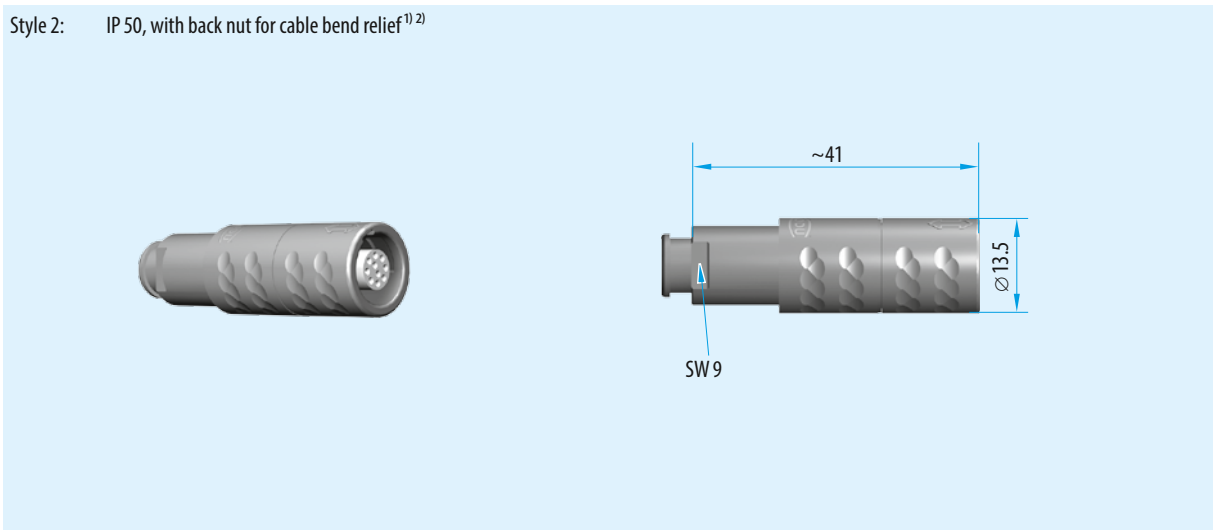
### Connector type

1	2	3	4	5	6	7	8	9	10	11	12	13	14	15	16	17	18	19
			1	M			-	P										

**K 1 0** Style 1: IP 50, with standard back nut



**K 2 S** Style 2: IP 50, with back nut for cable bend relief<sup>1)2)</sup>



#### Technical data

- Contact inserts see from page 41
- Explanation to the protection classes see page 68
- K1 with colour coding

<sup>1)</sup> Cable bend reliefs have to be ordered separately (see page 50).

<sup>2)</sup> Back nuts for cable bend reliefs have to be ordered in the same colour as the connector housing. The colour coding is based on the cable bend relief.

## Receptacle

### Connector type

1	2	3	4	5	6	7	8	9	10	11	12	13	14	15	16	17	18	19
			1	M			-	P								-	0	0

G 1

Style 1: IP 50, installation from front of panel<sup>1)</sup>

#### Technical data

- Contact inserts and PCB layouts see from page 41
- Explanation to the protection classes see page 68
- IP 50 to the panel
- Anti-rotation feature
- With colour coding

<sup>1)</sup> Panel cut-out see next page.

G 4

Style 4: IP 64 / IP 67, installation from front of panel<sup>1)</sup>

#### Technical data

- IP 64 in combination with plug style 4 in mated condition (page 12)
- IP 67 in combination with plug style A5 in mated condition (page 63)
- Explanation to the protection classes see page 68
- Contact inserts and PCB layouts see from page 41
- Anti-rotation feature
- IP 50 to the panel in unmated condition
- With colour coding

<sup>1)</sup> Panel cut-out see next page.

G 5

Style 5: IP 50, continuous thread, installation from front or rear of panel, front extension adjustable<sup>1)</sup>

#### Technical data

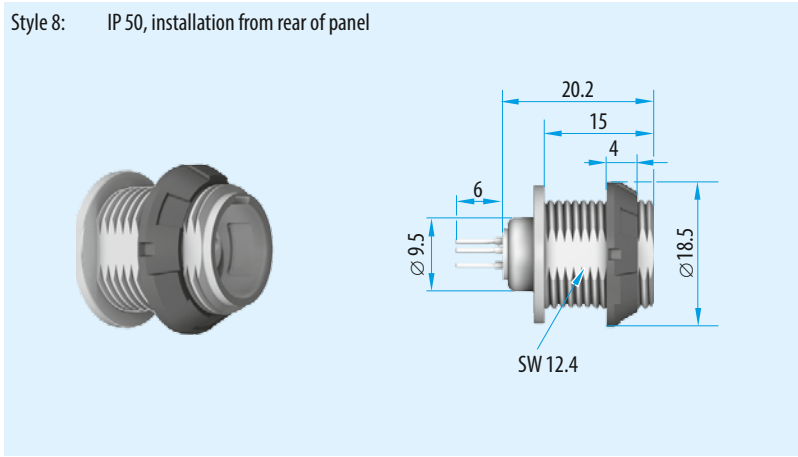
- Contact inserts and PCB layouts see from page 41
- Explanation to the protection classes see page 68
- IP 50 to the panel
- Anti-rotation feature
- With colour coding

<sup>1)</sup> Panel cut-out see next page.

## Receptacle

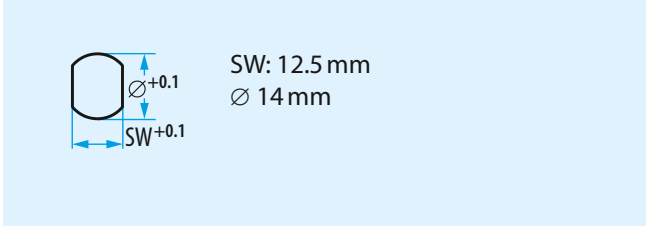
### Connector type

1	2	3	4	5	6	7	8	9	10	11	12	13	14	15	16	17	18	19
			1	M			-	P								-	0	0



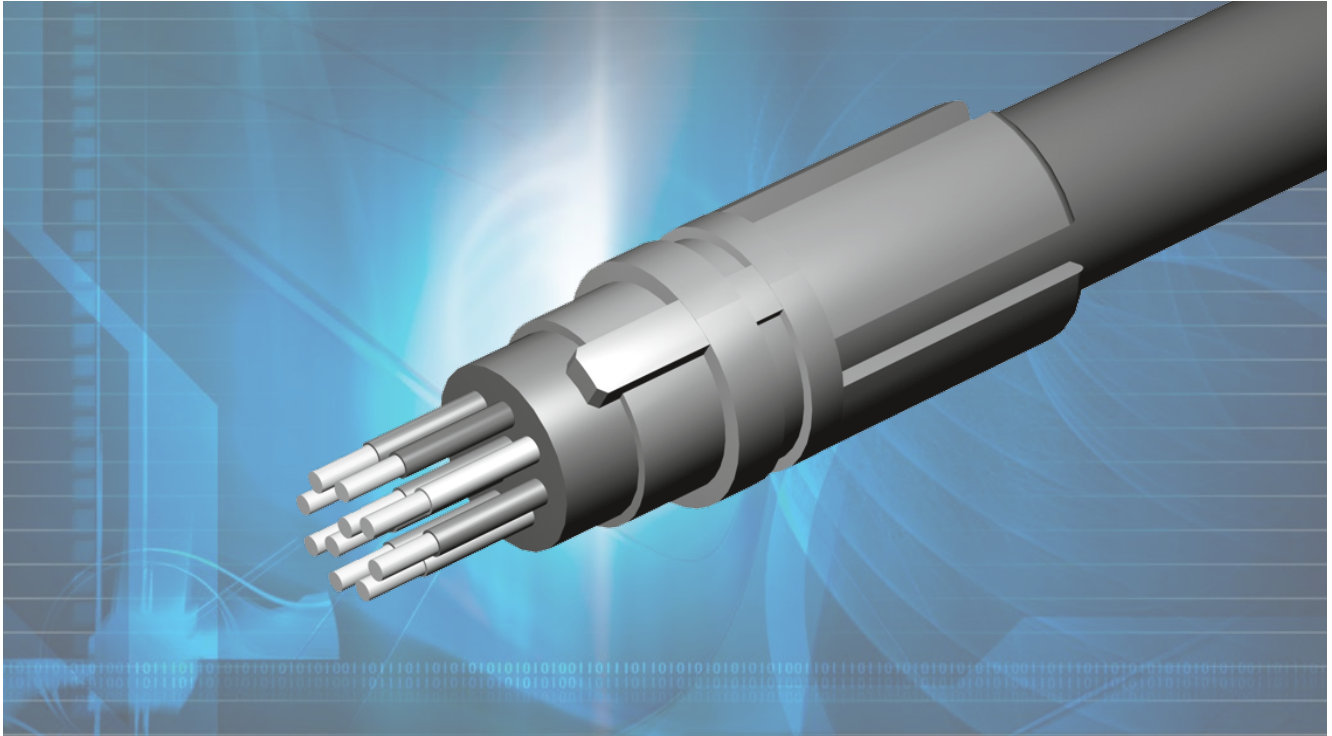
- Technical data**
- Contact inserts and PCB layouts see from page 41
  - Explanation to the protection classes see page 68
  - IP 50 to the panel
  - Anti-rotation feature
  - With colour coding

### Panel cut-out (for all receptacles)





## Details for the Part Number Key Plastic Housing, Size 1



Details Size 1



**Keying**  
**Housing Materials**  
**Plastic Cable Collet**  
**Colour Coding**  
**Angled Print Contact**  
**in the Receptacle**



**Part Number Key See Fold-Out**  
**Page Inside Back Cover**



### Keying

1	2	3	4	5	6	7	8	9	10	11	12	13	14	15	16	17	18	19	
			1	M			-	P											

Angle	Keying	Plug front view
0°	<b>O</b>	
40°	<b>A</b>	
60°	<b>C</b>	
80°	<b>E</b>	
170°	<b>H</b>	
205°	<b>J</b>	

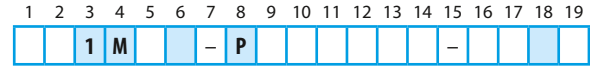
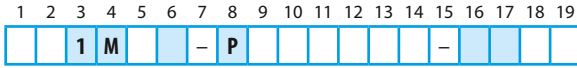
### Housing Materials

1	2	3	4	5	6	7	8	9	10	11	12	13	14	15	16	17	18	19	
			1	M			-	P											

Housing material	Housing material
	<b>7</b> Plastic, grey (PSU)
	<b>8</b> Plastic, black (PSU)
	<b>S</b> Plastic, black (PEI), autoclaveable
On request	<b>3</b> Plastic, white (PSU)
On request	<b>G</b> Plastic, grey (PEI), autoclaveable

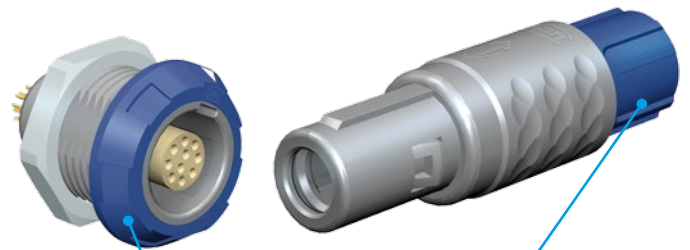
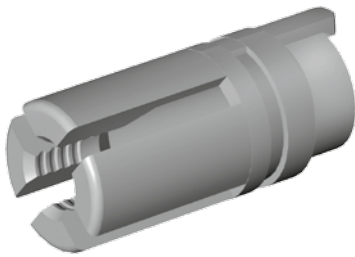
### Plastic Cable Collet for Plugs, In-Line Receptacles and for Special Receptacles (Style 6)

### Colour Coding



Cable diameter		
in mm		
> 2.7 to 3.9	3	9
> 4.0 to 5.2	5	2
> 5.3 to 6.5	6	5

Colour	Similar RAL system		Material	Colour Coding
	Design	Classic		
Red	030 40 40	3002	PSU (plastic)	2
White	000 90 00	9003		3
Yellow	090 90 60	1016		4
Green	170 50 50	6032		5
Blue	270 40 30	5019		6
Grey	000 55 00	7045		7
Black	000 25 00	9004		8



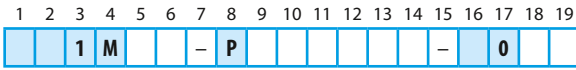
Possibility of colour coding at the back nut (for plug, right-angled plug, in-line receptacle) and the front nut (for receptacles).

Back nuts for cable bend reliefs have to be ordered in the same colour as the connector housing. The colour coding is based on the cable bend relief.

**PEI is only available in black and grey.**

## Angled and Straight Print Contact in the Receptacle

Details Size 1

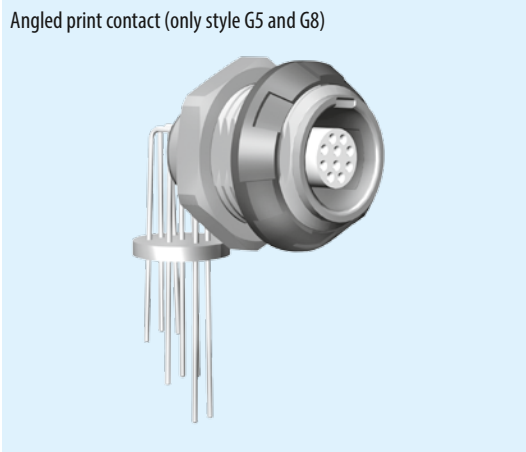


G 5 A

Angled print contact (only style G5 and G8)

PCB layouts see page [46](#)

G 8 A



G 5 0

Straight print contact  
(Solder/print contact, only style G5 and G8)

PCB layouts see page [46](#)

G 8 0



## Metal Housing, Size 1 IP 50, IP 64 and IP 68



Metal Housing,  
Size 1



**Part Number Key See Fold-Out  
Page Inside Back Cover**



## Features Metal Finish

- Robust housing finish
- Compatible with plastic finish
- Almost any combinable
- Attractive design
- Available in size 1

**Reference:**

Generally A51M is not mateable on metal receptacle.

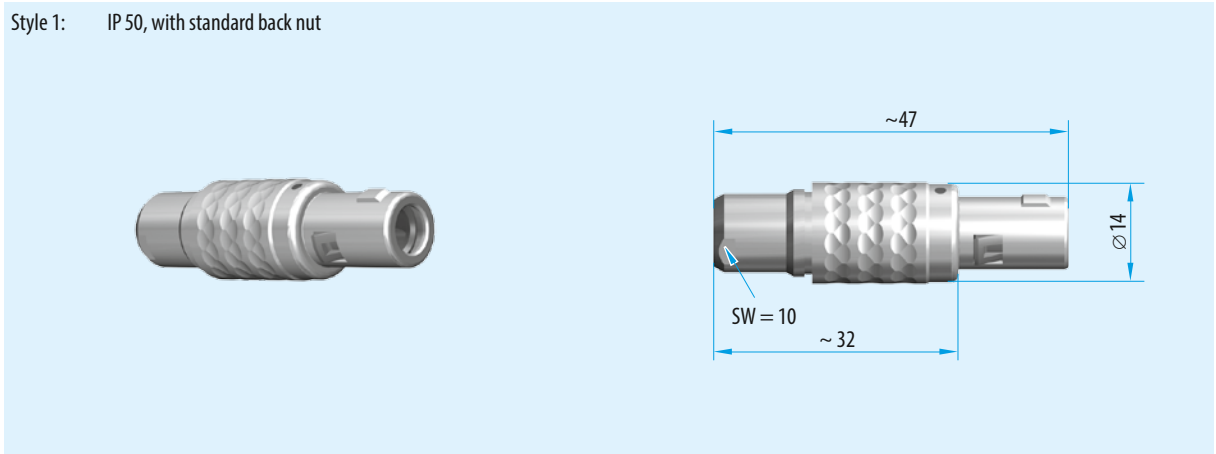


## Straight Plug

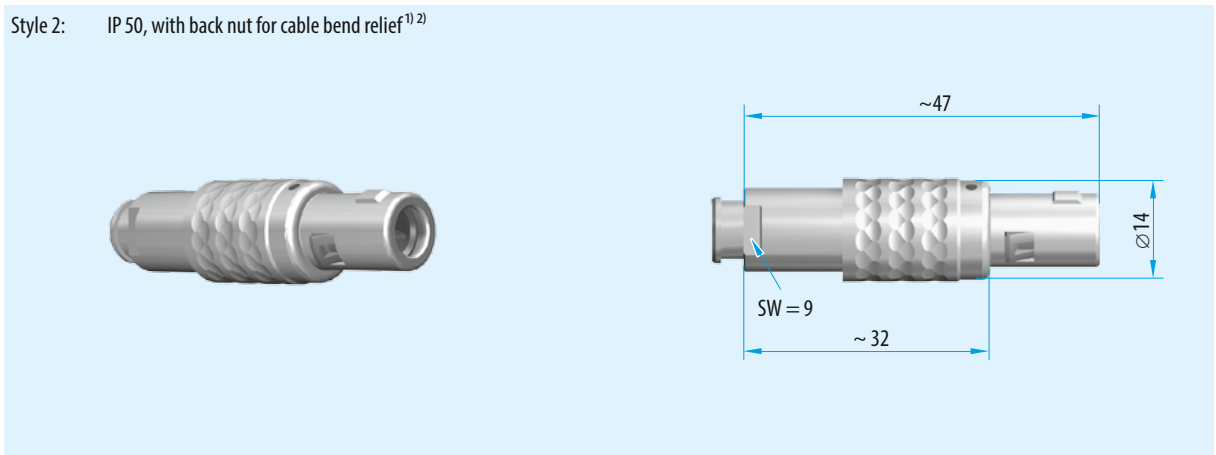
### Connector type

1	2	3	4	5	6	7	8	9	10	11	12	13	14	15	16	17	18	19
			1	M		C	-	P										

↑ ↑ ↑  
**S 1 0** Style 1: IP 50, with standard back nut



**S 2 S** Style 2: IP 50, with back nut for cable bend relief<sup>1)2)</sup>



#### Technical data

- Contact inserts see from page 41
- Explanation to the protection classes see page 68

<sup>1)</sup> Cable bend reliefs have to be ordered separately (see page 50).  
<sup>2)</sup> Back nuts for cable bend reliefs have to be ordered in the same colour as the connector housing. The colour coding is based on the cable bend relief.

## Receptacle

### Connector type

1	2	3	4	5	6	7	8	9	10	11	12	13	14	15	16	17	18	19
			1	M	C	-	P									-	0	0

Metal Housing, Size 1

G 1

Style 1: IP 50, installation from front of panel<sup>1)</sup>

max. 24.9  
~9 4  
Ø19  
SW 17 SW 12.4

- Technical data**
- Explanation to the protection classes see page 68
  - Contact inserts and PCB layouts see from page 41
  - IP 50 to the panel
  - Anti-rotation feature
  - Front flange in colour of housing

<sup>1)</sup> Panel cut-out see page 25.

G 5

Style 5: IP 50, continuous thread, installation from front and rear of panel, front extension adjustable<sup>1)</sup>

max. 24.9  
~9 4  
Ø19  
SW 17 SW 12.4

- Technical data**
- Explanation to the protection classes see page 68
  - Contact inserts and PCB layouts see from page 41
  - IP 50 to the panel
  - Anti-rotation feature
  - With colour coding

<sup>1)</sup> Panel cut-out see page 25.



## Receptacle

### Connector type

1	2	3	4	5	6	7	8	9	10	11	12	13	14	15	16	17	18	19	
			1	M		C	-	P										0	0



**Style A:** IP 64 /IP 68, installation from front of panel

**Technical data**

- IP 64 in combination with plug style 4 in mated condition (page 12)
- IP 68 to the panel in unmated condition
- Anti-rotation feature
- Contact inserts and PCB layouts see from page 41
- Front flange in housing colour

**Style K:** IP 50, installation from rear of panel

**Technical data**

- IP 50 to the panel
- Anti-rotation feature
- Contact inserts and PCB layouts see from page 41
- With colour coding

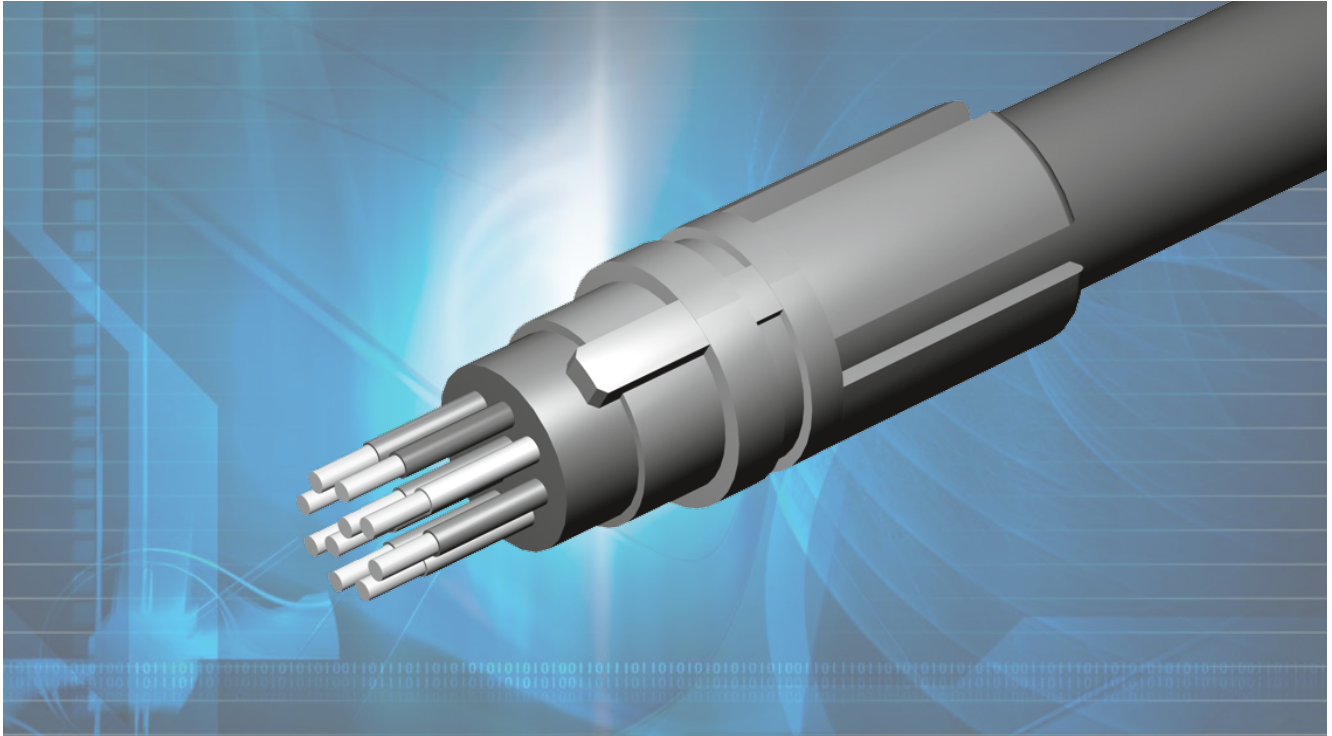
Metal Housing, Size 1

### Panel cut-out (for all receptacles)

SW: 12.5 mm  
 Ø 14 mm



## Details for the Part Number Key Metal Housing, Size 1



Details Size 1



### Keying

### Housing Materials

### Plastic Cable Collet

### Colour Coding

### Angled Print Contact in the Receptacle



### Part Number Key See Fold-Out Page Inside Back Cover



### Keying

### Housing Material

Details Size 1

1	2	3	4	5	6	7	8	9	10	11	12	13	14	15	16	17	18	19
			1	M	C	-	P							-				

1	2	3	4	5	6	7	8	9	10	11	12	13	14	15	16	17	18	19
			1	M	C	-	P							-				

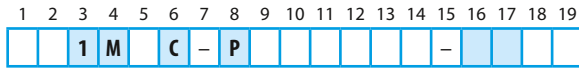
Angle	Keying	Plug front view
0°	0	
40°	A	
60°	C	

Housing material	Housing material
C	Metal

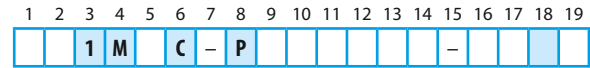
Further keyings on request.

### Plastic Cable Collet for Straight Plugs and In-Line Receptacles (Style 5 and 6, Receptacle Style G6)

### Colour Coding

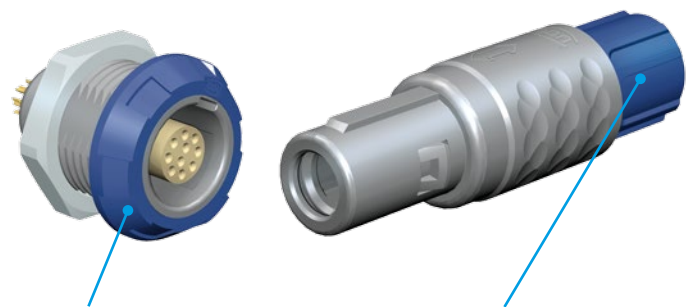


Cable diameter		
in mm		
> 2.7 bis 3.9	3	9
> 4.0 bis 5.2	5	2
> 5.3 bis 6.5	6	5



Colour	Similar RAL system		Material	Image	Colour coding	Image
	Design	Classic				
Red	030 40 40	3002	PSU (plastic)		2	
White	000 90 00	9003			3	
Yellow	090 90 60	1016			4	
Green	170 50 50	6032			5	
Blue	270 40 30	5019			6	
Grey	000 55 00	7045			7	
Black	000 25 00	9004			8	
Matt chromate	-	-		Brass		C

Details Size 1



Possibility of colour coding at the front nut:  
Receptacle: G5 and GK

Possibility of colour coding at the back nut:  
Straight plug: S1

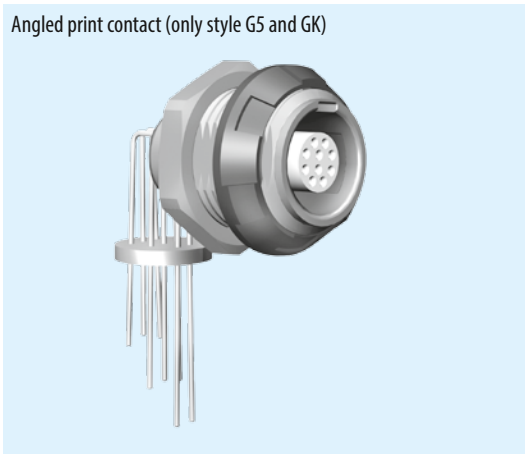
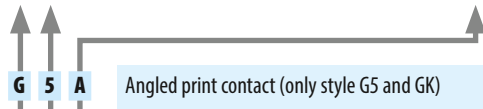
Back nuts for cable bend reliefs have to be ordered in the same colour as the connector housing. The colour coding is based on the cable bend relief.

Code C (Brass chromate) always at:  
Straight plug S2 and receptacle G1 and GA.

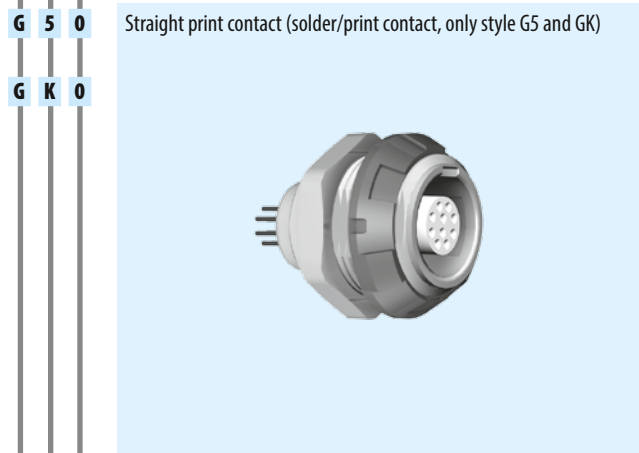
## Angled and Straight Print Contact in the Receptacle

Details Size 1

1	2	3	4	5	6	7	8	9	10	11	12	13	14	15	16	17	18	19
		1	M		C	-	P								-	0		

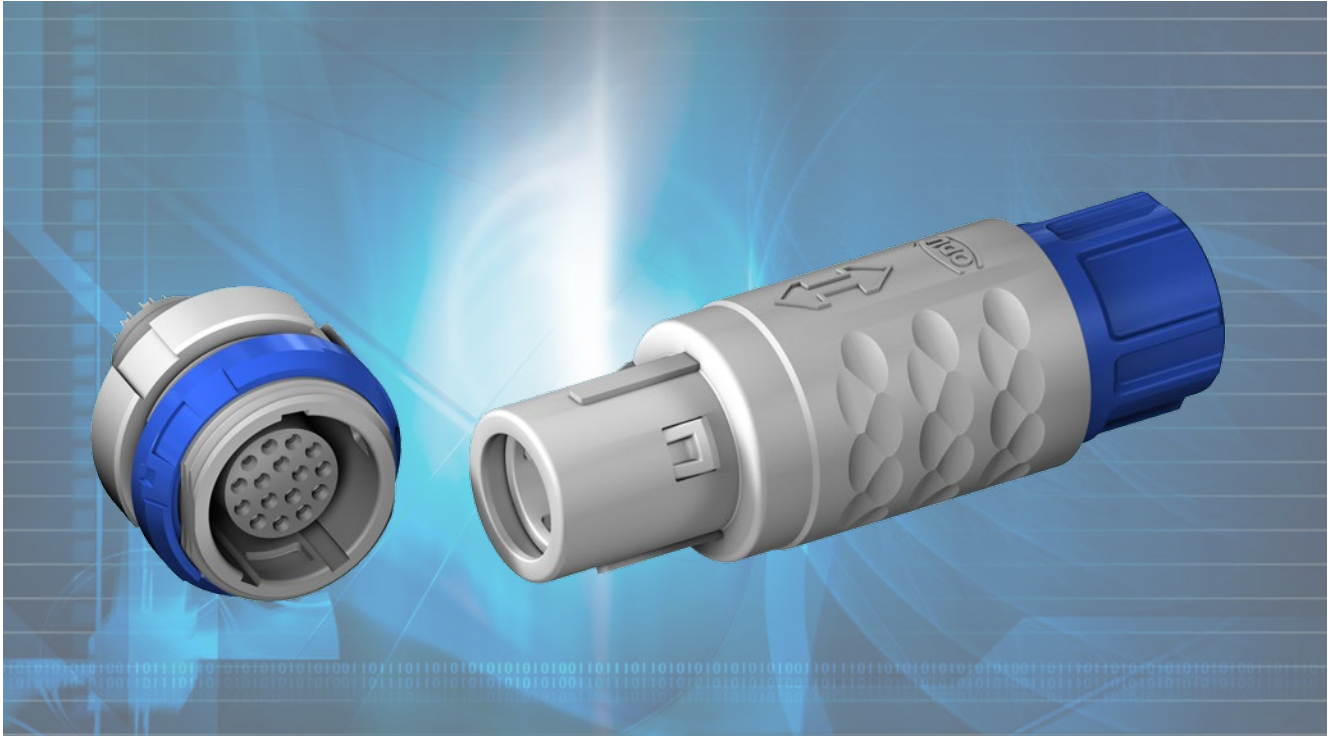


PCB layouts see page [46](#)



PCB layouts see page [46](#)

## Plastic Housing, Size 2 IP 50 and IP 64



Plastic Housing,  
Size 2



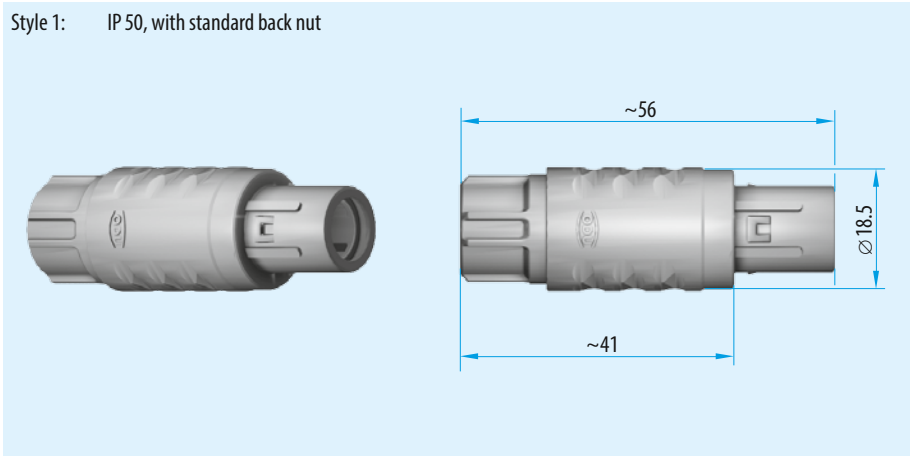
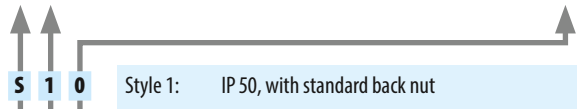
**Part Number Key See Fold-Out  
Page Inside Back Cover**



## Straight Plug

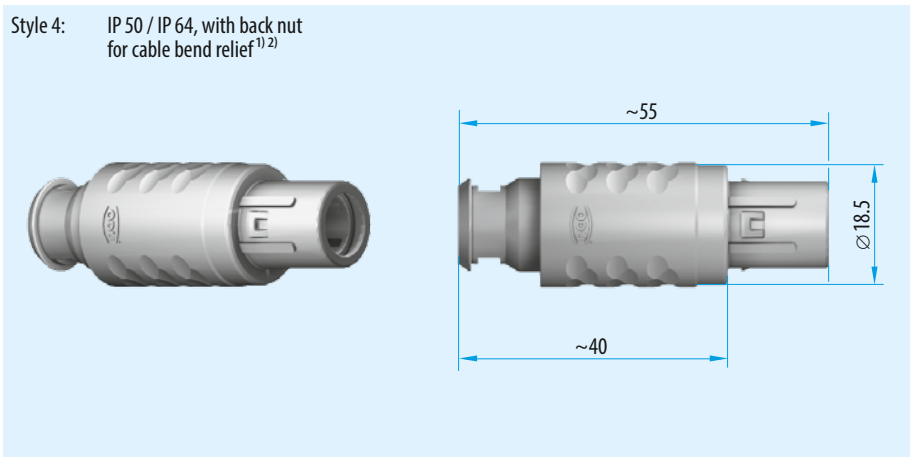
### Connector type

1	2	3	4	5	6	7	8	9	10	11	12	13	14	15	16	17	18	19
	2	M					-	P										



#### Technical data

- Only available in grey
- Contact inserts see from page 41
- Explanation to the protection classes see page 68



#### Technical data

- IP 50 in combination with receptacle style 1 and 5 (in mated condition)
- IP 64 in combination with receptacle style 4 (in mated condition)
- Contact inserts see from page 41
- Explanation to the protection classes see page 68

<sup>1</sup> Cable bend reliefs have to be ordered separately (see page 50).

<sup>2</sup> Back nuts for cable bend reliefs have to be ordered in the same colour as the connector housing. The colour coding is based on the cable bend relief.

Plastic Housing, Size 2



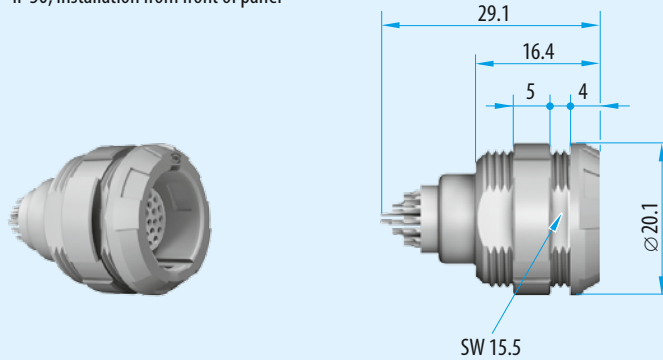
## Receptacle

### Connector type

1	2	3	4	5	6	7	8	9	10	11	12	13	14	15	16	17	18	19	
	2	M					-	P									-	0	1

G 1

Style 1: IP 50, installation from front of panel<sup>1)</sup>



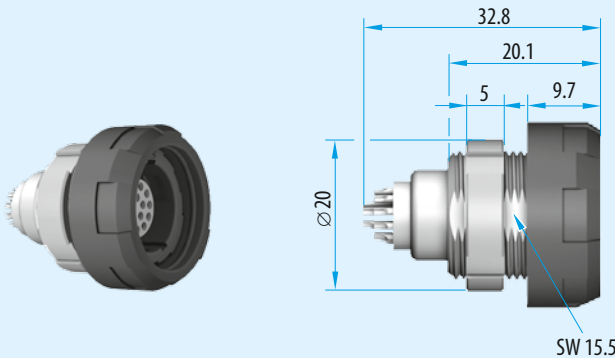
#### Technical data

- Explanation to the protection classes see page 68
- Contact inserts and PCB layouts see from page 41
- IP 50 to the panel
- Anti-rotation feature
- Front flange in housing colour
- Colour coding on request

<sup>1)</sup> Panel cut-out see page 34.

G 4

Style 4: IP 64, installation from front of panel<sup>1)</sup>



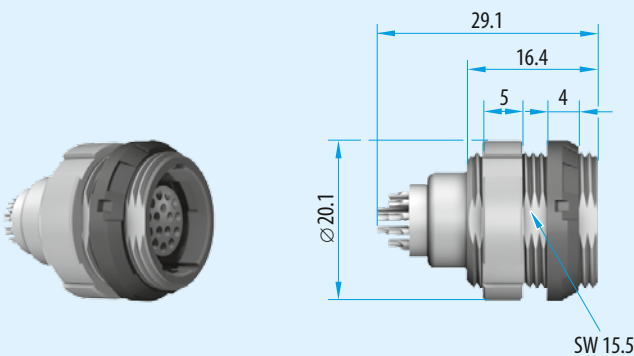
#### Technical data

- Explanation to the protection classes see page 68
- Contact inserts and PCB layouts see from page 41
- IP 64 in combination with plug style 4
- IP 50 to the panel
- With colour coding

<sup>1)</sup> Panel cut-out see page 34.

G 5

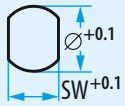
Style 5: IP 50, installation from front or rear of panel<sup>1)</sup>



#### Technical data

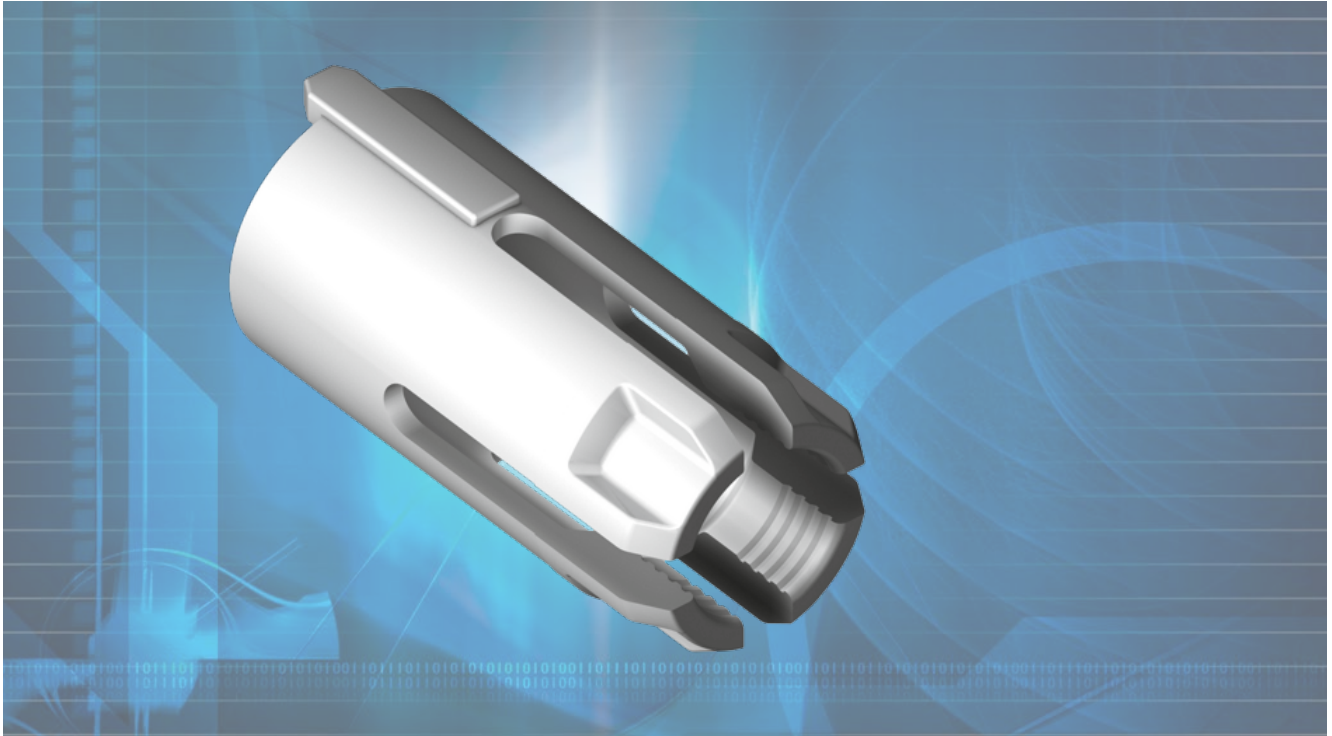
- Explanation to the protection classes see page 68
- Contact inserts and PCB layouts see from page 41
- IP 50 to the panel
- Anti-rotation feature
- With colour coding

<sup>1)</sup> Panel cut-out see page 34.

**Panel cut-out (for all receptacles)**

SW: 15.6 mm  
 $\varnothing$  17.1 mm

## Details for the Part Number Key Plastic Housing, Size 2



Details Size 2



**Keying**  
**Housing Materials**  
**Plastic Cable Collet**  
**Colour Coding**



**Part Number Key See Fold-Out  
Page Inside Back Cover**




## Keying

## Housing Materials

1	2	3	4	5	6	7	8	9	10	11	12	13	14	15	16	17	18	19
	2	M	C			-	P											

1	2	3	4	5	6	7	8	9	10	11	12	13	14	15	16	17	18	19
	2	M			7		-	P										

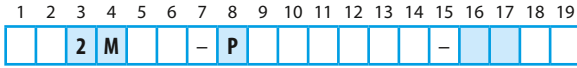
<b>Angle</b>	<b>Keying</b>	<b>Plug front view</b>
60°	C	

<b>Housing material</b>	<b>Housing material</b>
7	Plastic, grey (PSU)

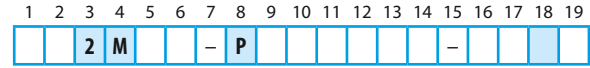
Further keyings on request.

### Plastic Cable Collet for Plug

### Colour Coding



Cable diameter in mm	Colour coding	
	5	4
> 3.2 to 5.4	5	4
> 5.4 to 7.4	7	4
> 7.4 to 9.2	9	2



Colour	Similar RAL system		Material	Image	Colour coding	Image
	Design	Classic				
Red	030 40 40	3002	PSU (plastic)		2	
White	000 90 00	9003			3	
Yellow	090 90 60	1016			4	
Green	170 50 50	6032			5	
Blue	270 40 30	5019			6	
Grey	000 55 00	7045			7	
Black	000 25 00	9004			8	

Details Size 2



Possibility of colour coding at the front nut:  
Receptacle: G4 and G5



Possibility of colour coding at the back nut:  
Straight plug: S1

The colour coding of plug style 4 is based on the cable bend relief.



## Contact Inserts



Contact Inserts

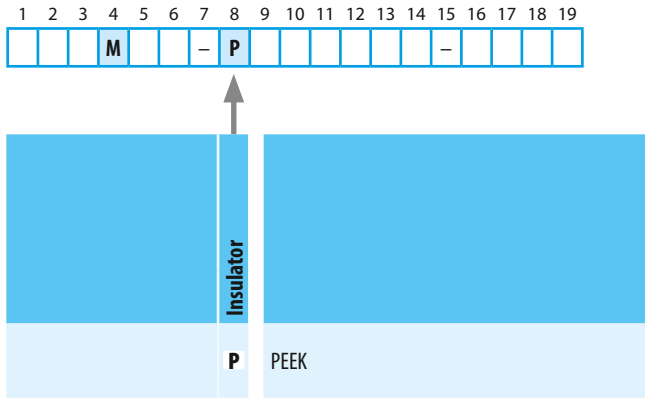


Pin inserts are in the plug respectively right-angled plug.  
 Socket inserts are in the receptacle respectively in-line receptacle.  
 Pin and socket can not be exchanged.

**Part Number Key See Fold-Out  
 Page Inside Back Cover**



## Insulator Material

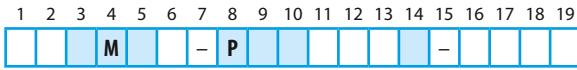


Insulation resistance of the insulators  $> 1 \times 10^{12} \Omega$  (DIN EN 60512-3-1)



## Contact Inserts

### Size 1, Plastic and Metal Housing



Size	Insulator material	Insulator	Number of contacts	Insert arrangement	Contact diameter mm	Clearance and creepage distance Contact to contact in mm	Test voltage <sup>2) 5)</sup> Contact to contact in kVeff	Nominal current carrying capacity single connector <sup>1)</sup> Insert A	Termination type			View on the termination side	
									Solder <sup>3)</sup>	Crimp <sup>3)</sup>	Print <sup>4)</sup>	Pin piece	Socket piece
1	PEEK	P	0 2	0	1.3	1.3	1.90	14.0 14.0 Print = 10.0	●	●	●		
1	PEEK	P	0 3	9	1.3	1.2	1.90	14.0 14.0 Print = 10.0	●	●	●		
1	PEEK	P	0 4	0	0.9	1.2	1.90	10.0 10.0	●	●	●		
1	PEEK	P	0 5	0	0.9	0.8	1.60	10.0 7.5	●	●	●		
1	PEEK	P	0 6	0	0.7	0.85	1.60	7.0 4.5	●	●	●		
1	PEEK	P	0 7	0	0.7	0.85	1.60	7.0 4.5	●	●	●		

Contact Inserts

<sup>1</sup> Derating factor see page 72

<sup>2</sup> SAE AS 13441:1998 method 3001.1 (kVeff)

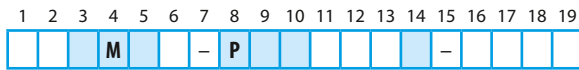
<sup>3</sup> Tools for assembling see page 56

<sup>4</sup> PCB-Layouts see from page 46

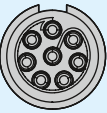
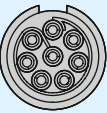
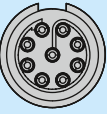
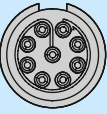
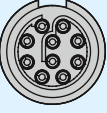
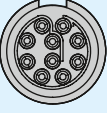
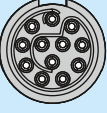
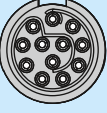


<sup>5</sup> Maximal operating voltage at sea level up to 2,000 m acc. to SAE 13441. More information on page 73.

## Contact Inserts

### Size 1, Plastic and Metal Housing



Contact Inserts

Size	Insulator material	Insulator	Number of contacts	Insert arrangement	Contact diameter mm	Clearance and creepage distance		Test voltage <sup>2) 5)</sup> Contact to contact in kVeff	Nominal current carrying capacity single connector <sup>1)</sup> A	Termination type			View on the termination side	
						Contact to contact in mm				Solder <sup>3)</sup>	Crimp <sup>3)</sup>	Print <sup>4)</sup>	Pin piece	Socket piece
1	PEEK	P 0 8	8	0	0.7	0.6	1.60	7 3.85	•	•	•			
1	PEEK	P 0 9	9	0	0.5	0.65	1.35	5 2.75	•		•			
1	PEEK	P 1 0	10	0	0.5	0.5	1.35	5 2.75	•		•			
1	PEEK	P 1 2	12	9	0.5	0.5	1.20	5 2.75	•		•			
1	PEEK	P 1 4	14	0	0.5	0.5	1.20	5 2.5	•		•			

<sup>1</sup> Derating factor see page 72

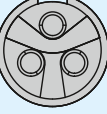
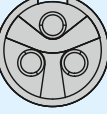
<sup>2</sup> SAE AS 13441:1998 method 3001.1 (kVeff)

<sup>3</sup> Tools for assembling see page 56

<sup>4</sup> PCB-Layouts see from page 46

<sup>5</sup> Maximal operating voltage at sea level up to 2,000 m acc. to SAE 13441.

More information on page 73.

Size	Insulator material	Insulator	Number of contacts	Insert arrangement	Contact diameter mm	Clearance and creepage distance contact to contact in mm		Voltages contact to contact			Nominal current carrying capacity single connector Insert A	Termination type			View on the termination side	
						Mated	Unmated	Nominal voltage V AC	Test voltage mated in kV	Test voltage unmated in kV		Solder	Crimp	Print	Pin piece	Socket piece
1	PEEK	P 0 3	3	0	0.9	4.7	2.0	230 <sup>1) 2)</sup>	5.0 <sup>2)</sup> 6.75 <sup>3)</sup>	3.0 <sup>2)</sup> 4.5 <sup>3)</sup>	10.0 9.0	•				

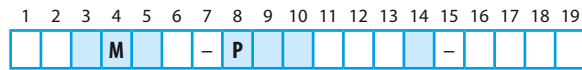
<sup>1</sup> Voltage only permitted on pin pieces when inserted.

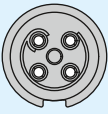
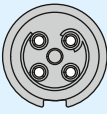
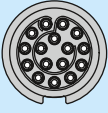
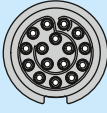
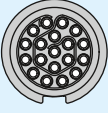
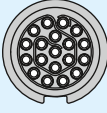
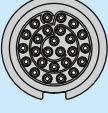

<sup>2</sup> acc. VDE 0110/DIN EN 60664-1; 2008-01

<sup>3</sup> acc. SAE 13441: 1998 method 3001,1

## Contact Inserts

### Size 2, Plastic Housing



Size	Insulator material	Insulator	Number of contacts	Insert arrangement	Contact diameter mm	Clearance and creepage distance Contact to contact in mm	Test voltage <sup>2) 5)</sup> Contact to contact in kVeff	Nominal current carrying capacity single connector <sup>1)</sup> Insert A	Termination type			View on the termination side	
									Solder <sup>3)</sup>	Crimp <sup>3)</sup>	Print <sup>4)</sup>	Pin piece	Socket piece
2	PEEK	P 0	4	0	1.3	2.0	3	14 14	●	●			
2	PEEK	P 1	6	0	0.7	0.7	1.6	7 3.15	●	●			
2	PEEK	P 1	9	0	0.7	0.7	1.35	7 3.15	●	●			
2	PEEK	P 2	6	0	0.5	0.5	1.35	5 2	●	●			

<sup>1</sup> Derating factor see page 72

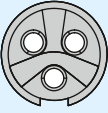
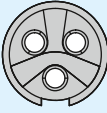
<sup>2</sup> SAE AS 13441:1998 method 3001.1 (kVeff)

<sup>3</sup> Tools for assembling see page 56

<sup>4</sup> PCB-Layouts see from page 46

<sup>5</sup> Maximal operating voltage at sea level up to 2,000 m acc. to SAE 13441. More information on page 73.

Contact Inserts

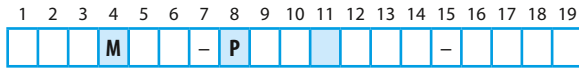
Size	Insulator material	Insulator	Number of contacts	Insert arrangement	Contact diameter mm	Creepage distance contact to contact in mm		Voltages contact to contact			Nominal current carrying capacity single connector Insert A	Termination type			View on the termination side	
						Mated	Unmated	Nominal voltage V AC	Test voltage mated in kV	Test voltage unmated in kV		Solder	Crimp	Print	Pin piece	Socket piece
2	PEEK	P 0	3	0	2.0	4.7	2.0	230 <sup>1) 2)</sup>	5.0 <sup>2)</sup> 6.75 <sup>3)</sup>	3.0 <sup>2)</sup> 4.5 <sup>3)</sup>	22 22	●				

<sup>1</sup> Voltage only permitted on pin pieces when inserted.

<sup>2</sup> acc. VDE 0110/DIN EN 60664-1; 2008-01

<sup>3</sup> acc. SAE 13441: 1998 method 3001,1

## Contact Type / Contact Surface for all Sizes

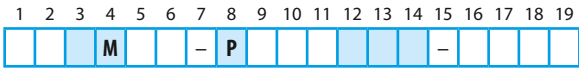


Contact Inserts

Termination type	Contact type	Contact surface	Surface
Solder termination	Socket	<b>L</b>	galv. Au
	Pin	<b>M</b>	galv. Au
Crimp termination	Socket	<b>N</b>	galv. Au
	Pin	<b>P</b>	galv. Au
Print termination	Socket	<b>Q</b>	galv. Au

## Termination Cross Sections for Size 1 and 2

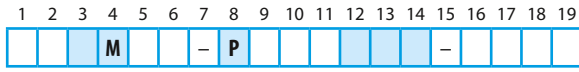
### Crimp contact



Size	Contact diameter	Contact diameter	Termination cross section	AWG	mm <sup>2</sup>
1	0.7	<b>F G O</b>		22/26	0.38 / 0.15
	0.9	<b>J H O</b>		20/24	0.50 / 0.25

Tools for crimping and their adjustments see page [56](#)


### Solder contact



Size	Termination diameter	Contact diameter	Contact diameter	Termination cross section	AWG	mm <sup>2</sup>
1	0.45	0.5	<b>C C O</b>		28	0.08
	0.65	0.7	<b>F D O</b>		26	0.15
	0.85	0.9	<b>J G O</b>		22	0.38
	1.10	1.3	<b>P H O</b>		20	0.50
	1.40 <sup>1)</sup>	0.9	<b>J N O</b>		18	1.00
2	1.40	1.3	<b>P N O</b>		18	1.00
	0.45	0.5	<b>C C O</b>		28	0.08
	0.65	0.7	<b>F D O</b>		26	0.15
	0.85	0.9	<b>J G O</b>		22	0.38
	1.10	1.3	<b>P H O</b>		20	0.50
	1.40	1.3	<b>P N O</b>		18	1.00
2	2.40	2.0	<b>T S O</b>		12	2.5

<sup>1)</sup> Caution: only for 3 positions insert, 230 V. Pin inserts are in the receptacle respectively in-line receptacle. Socket inserts are in the plug respectively right-angled plug. Pin and socket can not be exchanged.


### Print contact straight



1	0.50	0.5	<b>C O O</b>	
	0.50	0.7	<b>F O O</b>	
	0.70	0.9	<b>J O O</b>	
	0.70	1.3	<b>P O O</b>	
2	0.50	0.5	<b>C O O</b>	
	0.70	0.7	<b>F O O</b>	
	0.70	1.3	<b>P O O</b>	

Please see PCB layouts from page [46](#).

### Print contact angled



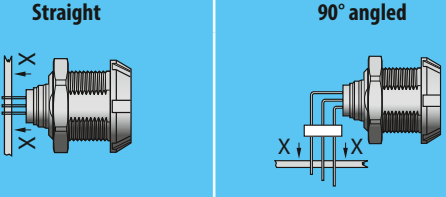
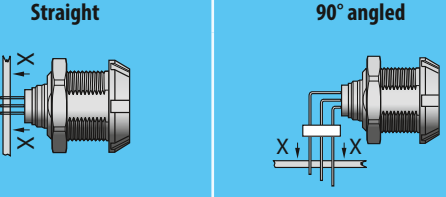
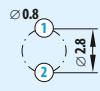
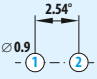
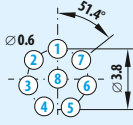
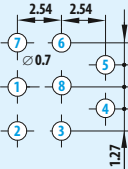
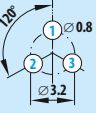
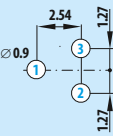
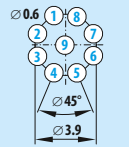
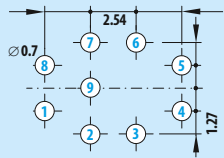
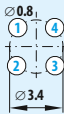
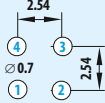
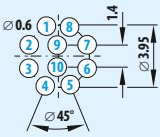
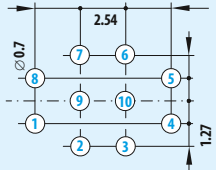
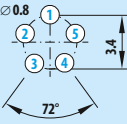
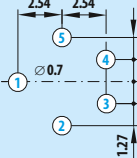
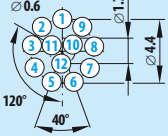
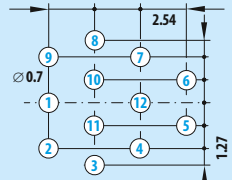
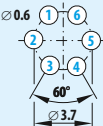
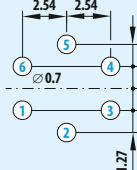
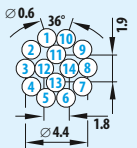
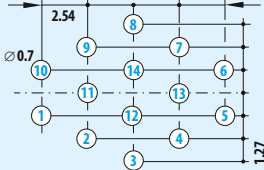
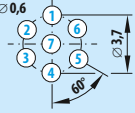
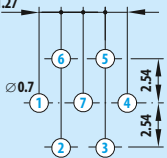
**(only size 1)**

1	0.50	0.5	<b>C O O</b>	
	0.60	0.7	<b>F O O</b>	
	0.60	0.9	<b>J O O</b>	
	0.80	1.3	<b>P O O</b>	

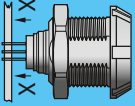
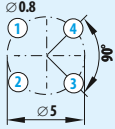
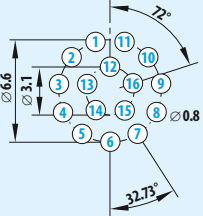
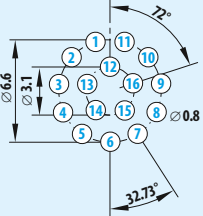
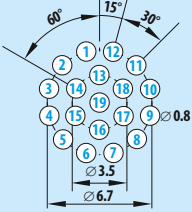
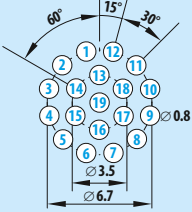
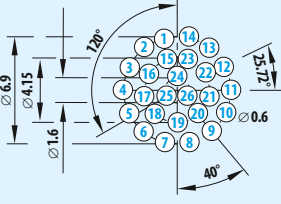
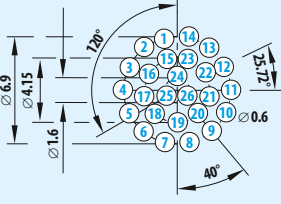
Please see PCB layouts from page [46](#).

**PCB Layouts for Print Contacts**  
**Size 1**

Contact Inserts

				
Number of contacts	Hole: 0.8 mm	Hole: 0.9 mm	Hole: 0.6 mm	Hole: 0.7 mm
2				
3				
4				
5				
6				
7				

## PCB Layouts for Print Contacts Size 2

Number of contacts	Straight	
4	<p>Hole: 0.8 mm</p>  	
16	<p>Hole: 0.8 mm</p>  	
19	<p>Hole: 0.8 mm</p>  	
26	<p>Hole: 0.6 mm</p>  	





## Accessories



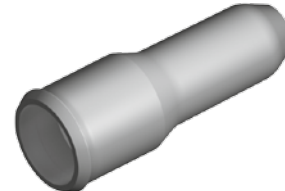
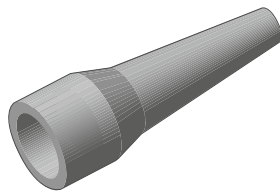
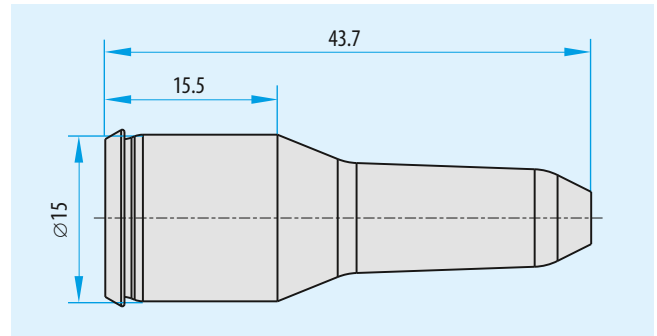
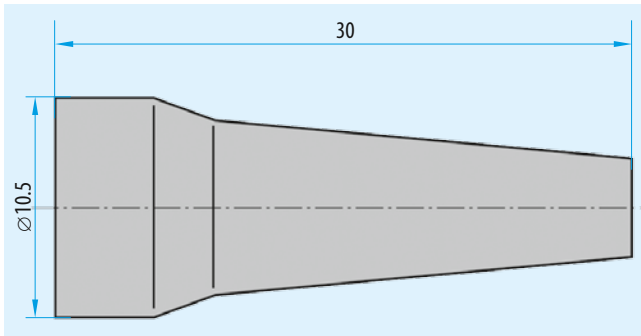
**Part Number Key See Fold-Out Page Inside Back Cover**



### Silicone Cable Bend Relief for Size 1

### Silicone Cable Bend Relief for Size 2

The cable bend reliefs are autoclaveable. Attention: not mounting compatible with cable bend reliefs of the companies REDEL® and LEMO®. Due to the different raw materials the colours can differ slightly from RAL. The cable bend reliefs always have to be ordered separately. Temperature range: Silicone: -50°C up to +200°C, short-term up to +230°C.



Accessories

Size	Part number	Cable jacket (outer diameter)	
		min.	max.
1	701.023 _ .965.025	2.5	3.0
	701.023 _ .965.030	3.0	3.5
	701.023 _ .965.035	3.5	4.0
	701.023 _ .965.040	4.0	5.0
	701.023 _ .965.050	5.0	6.0
	701.023 _ .965.060	6.0	6.5

Size	Part number	Cable jacket (outer diameter)	
		min.	max.
2	KM2.023 _ .965.032	3.2	4.7
	KM2.023 _ .965.047	4.7	6.2
	KM2.023 _ .965.062	6.2	7.7
	KM2.023 _ .965.077	7.7	9.2

#### Colours

Please indicate colour code.

Colour code	Colour	RAL-no. <sup>1)</sup> (similar)
... 202 ...	Red	3020
... 203 ...	White	9010
... 204 ...	Yellow	1016
... 205 ...	Green	6029
... 206 ...	Blue	5002
... 207 ...	Grey	7005
... 208 ...	Black	9005

#### Colours

Please indicate colour code.

Colour code	Colour	RAL-no. <sup>1)</sup> (similar)
... 207 ...	Grey	7005
... 208 ...	Black	9005

<sup>1)</sup> Because of different raw materials the colours may slightly differ from RAL numbers.

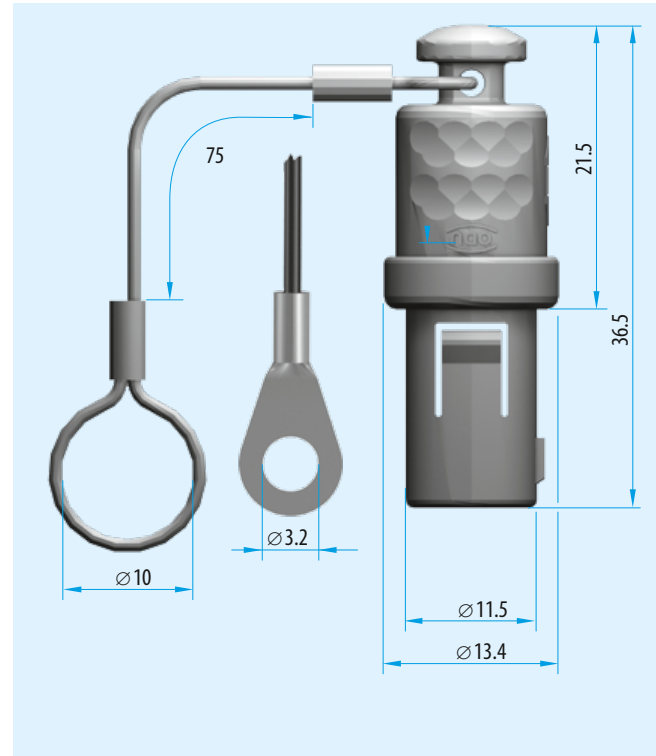
<sup>1)</sup> Because of different raw materials the colours may slightly differ from RAL numbers.

## Protective Cover for Receptacles and In-Line Receptacles with Plastic Housing Size 1

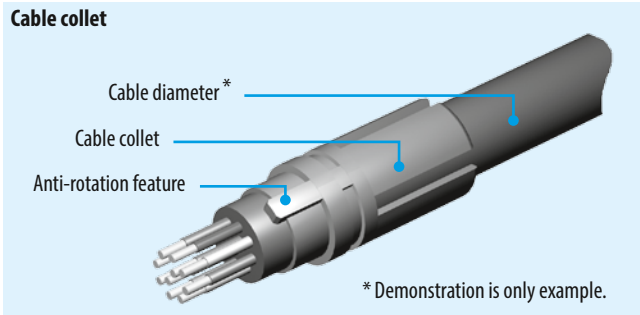
Part number <sup>1)</sup>	Material	Colour	
		Cover	Polyamide lanyard
KM1.097.0_6.934._02	PSU	Red	White
KM1.097.0_6.934._03	PSU	White	White
KM1.097.0_6.934._04	PSU	Yellow	White
KM1.097.0_6.934._05	PSU	Green	White
KM1.097.0_6.934._06	PSU	Blue	White
KM1.097.0_6.934._07	PSU	Grey	White
KM1.097.0_6.934._08	PSU	Black	Black
KM1.097.0_6.933._08	PEI	Black	Black

With \_\_ please register desired lanyard material:

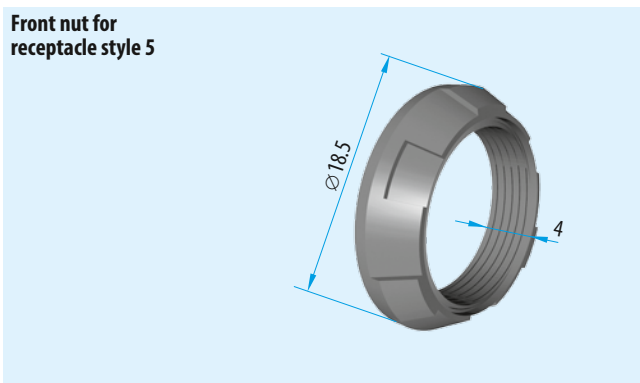
- 0 = Polyamide lanyard with loop
- 1 = Stainless steel lanyard with rope
- 2 = Polyamide lanyard with solder lug
- 3 = Stainless steel lanyard with solder lug



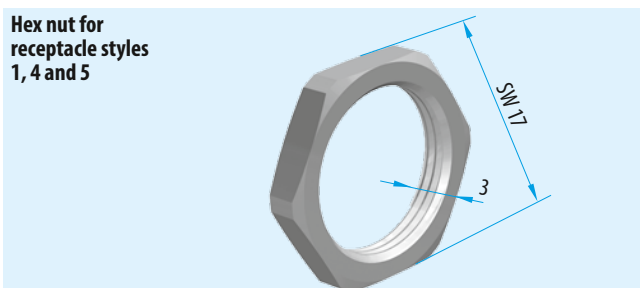
## Cable Collets and Nuts Size 1



Material	Part number	Cable diameter in mm
PSU	KM1.020.121.934.007	2.7 to 3.9
	KM1.020.122.934.007	4.0 to 5.2
	KM1.020.123.934.007	5.3 to 6.5



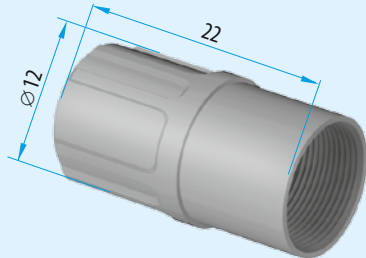
Material	Colour	Part number	Similar RAL system Design
PSU	Black	KM1.311.002.934.008	000 25 00
	Grey	KM1.311.002.934.007	000 55 00
	White	KM1.311.002.934.003	000 90 00
	Red	KM1.311.002.934.002	030 40 40
	Green	KM1.311.002.934.005	170 60 45
	Yellow	KM1.311.002.934.004	095 80 60
	Blue	KM1.311.002.934.006	270 40 30
PEI	Black	KM1.311.002.933.008	000 25 00



Material	Receptacle style	Colour	Part number
Brass nickel plated	1, 5, A	–	021.310.115.304.000

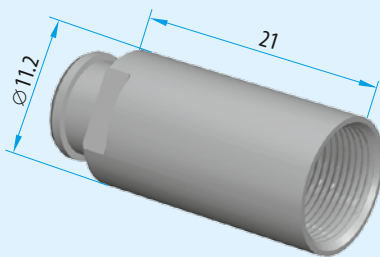
## Back Nuts Size 1

Standard back nut



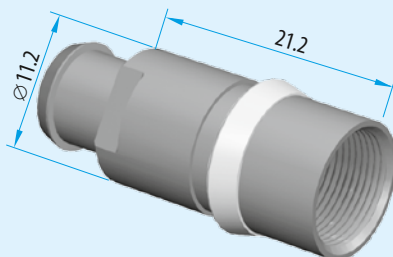
Material	Colour	Part number	Similar RAL system	
			Design	Classic
PSU <sup>1)</sup>	Black	KM1.020.111.934.008	000 25 00	9004
	Grey	KM1.020.111.934.007	000 55 00	7045
	White	KM1.020.111.934.003	000 90 00	9003
	Red	KM1.020.111.934.002	030 40 40	3002
	Green	KM1.020.111.934.005	170 60 45	6032
	Yellow	KM1.020.111.934.004	095 80 60	1016
	Blue	KM1.020.111.934.006	270 40 30	5019
PEI	Black	KM1.020.111.933.008	000 25 00	9004

Standard back nut for cable bend relief



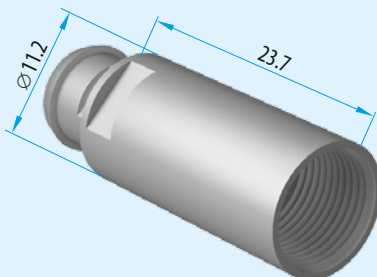
Material Back nut	Colour	Part number	Similar RAL system	
			Design	Classic
PSU <sup>1)</sup>	Black	KM1.020.113.934.008	000 25 00	9004
	Grey	KM1.020.113.934.007	000 55 00	7045
PEI	Black	KM1.020.113.933.008	000 25 00	9004

Standard back nut for cable bend relief with plug IP 64



Material Back nut	Colour	Part number	Similar RAL system	
			Design	Classic
PSU <sup>1)</sup>	Black	KM1.026.113.934.108	000 25 00	9004
	Grey	KM1.026.113.934.107	000 55 00	7045
PEI	Black	KM1.026.113.933.108	000 25 00	9004

Back nut for extrusion (on request)



<sup>1</sup> Further colours on request.



## Tools



**Part Number Key See Fold-Out Page Inside Back Cover**



### Crimping Tools / Assembly Tools



Part number crimping tool      080.000.051.000.000  
 Part number positioner          see table

### Processing Tools for Crimp Contacts

Tools

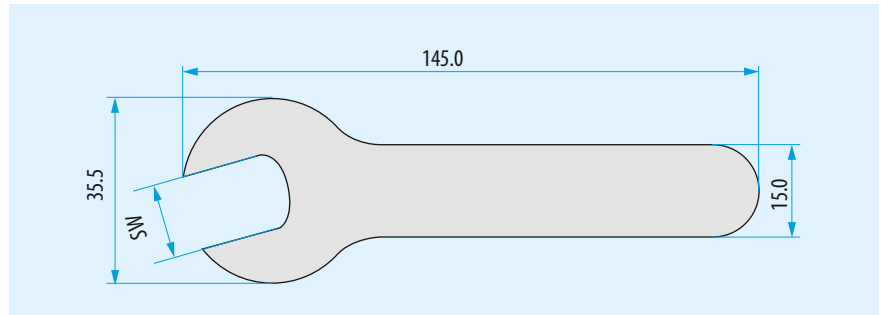
Size	Number of contacts	Contact diameter mm	Termination cross-section		Adjustment	Positioner	Position		Removal tool
			AWG	mm <sup>2</sup>			Pin	Socket	
1	6 to 8	0.7	22 to 26	0.38 / 0.15	0.67	080.000.051.109.000	9	3	087.7CC.070.001.000
	4 to 5	0.9	20 to 24	0.50 / 0.25	0.67	080.000.051.109.000	8	2	087.7CC.090.001.000
					0.67	080.000.051.109.000	8	2	087.7CC.090.001.000



## Spanner Wrench

### Spanner wrench size 1

Part number	SW
598.700.001.022.000	9.0
598.700.001.002.000	10.0
598.700.001.012.000	11.0
598.700.001.017.000	12.4
598.700.001.008.000	17.0

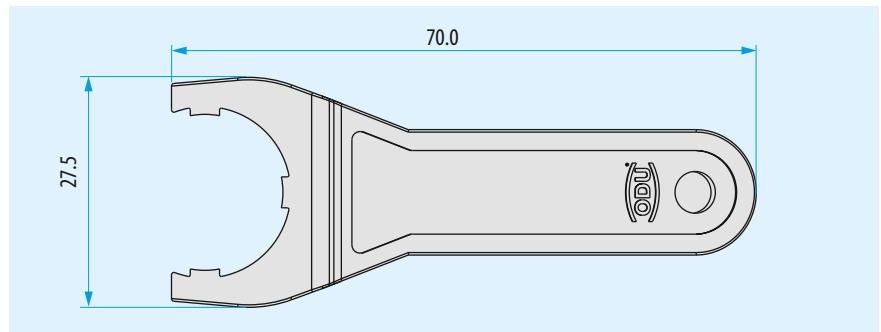


Tightening torque of the hex nut receptacle (style 1/4/5/6): 1.5 Nm

### Spanner wrench size 2

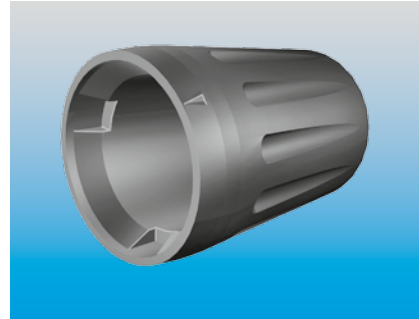


For slotted mounting nuts receptacle  
Style 1, 4, 5  
Part number: KM2.098.002.923.008



## Nutdriver for Receptacle Front Nuts

Part number	Size	Material front nut
KM1.098.001.923.008	1	Plastic
KM1.098.002.902.000	1	Metal
KM2.098.001.923.008	2	Plastic

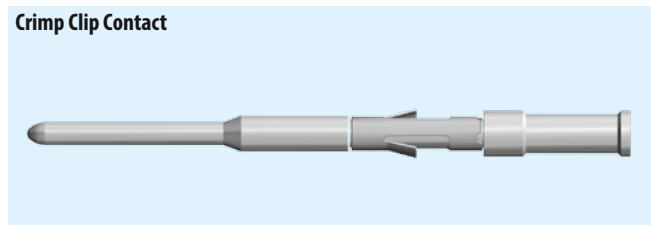


Nutdriver for front nut

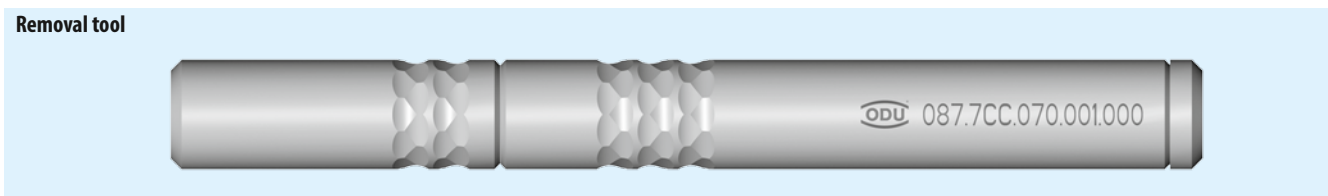
## Removal Tool for Crimp Clip Contacts (Size 1)

Tools

Part number	Contact diameter mm
087.7CC.070.001.000	0.7
087.7CC.090.001.000	0.9
087.7CC.130.001.000	1.3

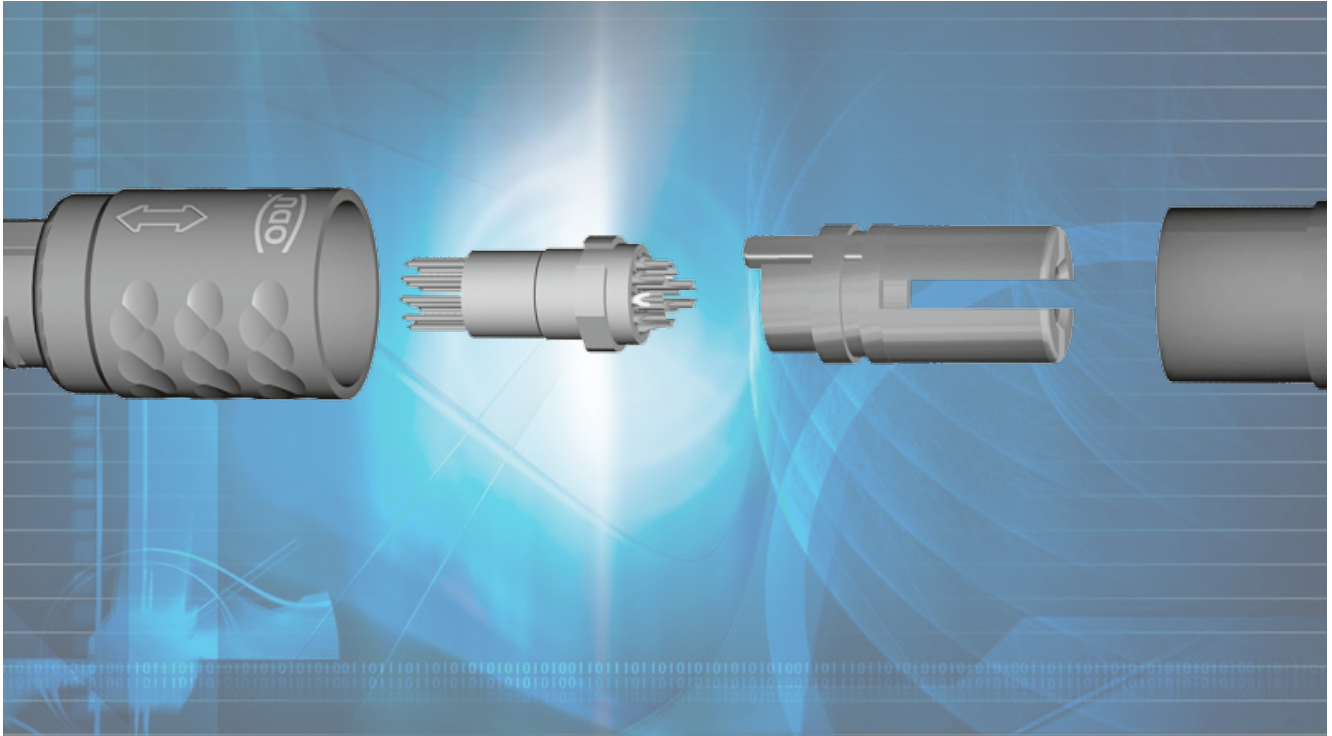


Crimp Clip Contact



Removal tool

## Assembly Instructions



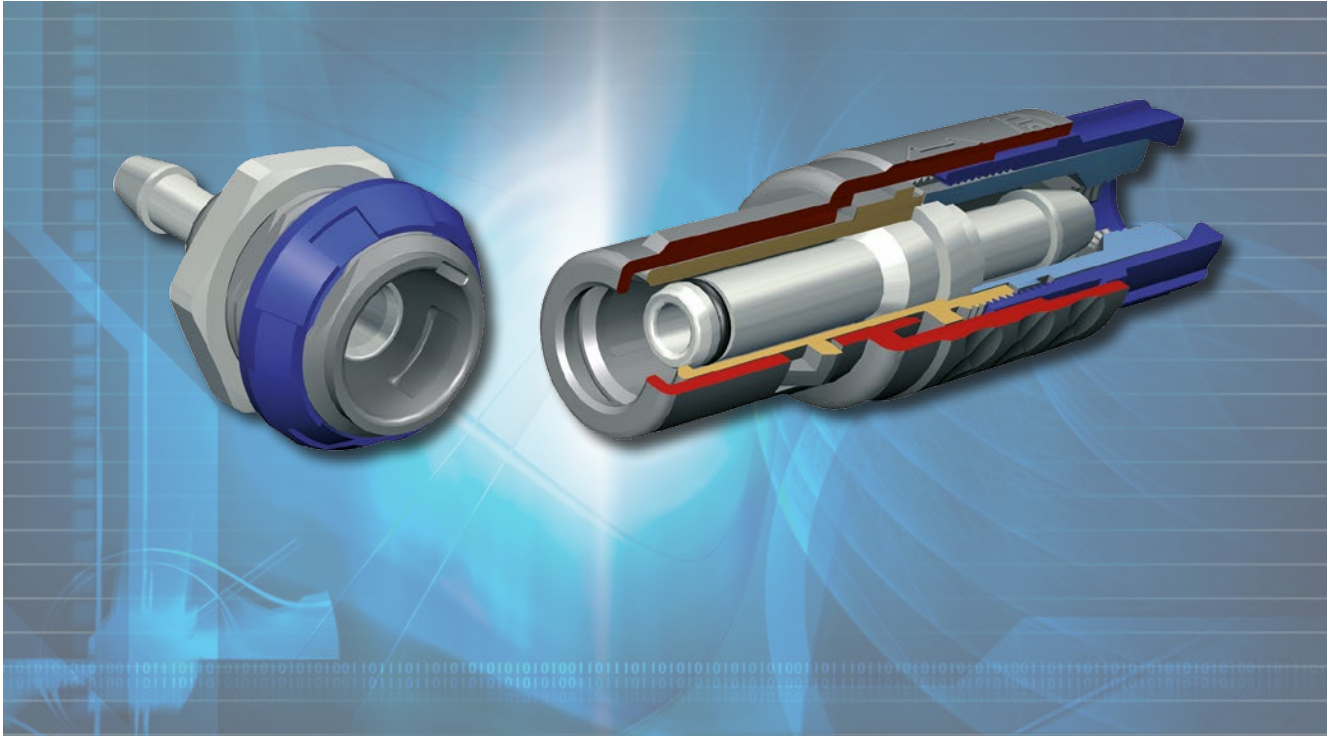
**Assembly Instructions are Available for Download on Our Website:**  
[www.odu.de/downloads](http://www.odu.de/downloads)



The assembly instructions of ODU MEDI-SNAP are available for download ([www.odu.de/downloads](http://www.odu.de/downloads)):



## Special Solutions



## Application Specific Special Solutions Based on ODU MEDI-SNAP®

Are you operating in a dynamic market and looking to break new ground with your technology? Then you also need innovative connection systems in order to ensure the best possible way to bring your ideas to life in functionally reliable applications.

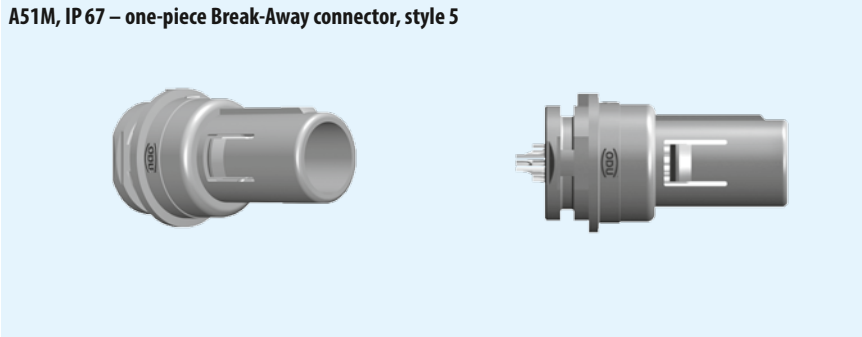
Standard connectors quickly reach their limits and prevent you from making new developments in the high-tech area.

ODU helps you to transcend these limits successfully: as a specialist for electrical connection systems, we develop solutions exactly according to your requirements and specifications. Working closely with you as partners, we develop exactly the connection system that you need for your application: a technically and economically optimal result.

Our specialists in the development and design teams look forward to this professional challenge.

## Disposable Break-Away Connectors Size 1

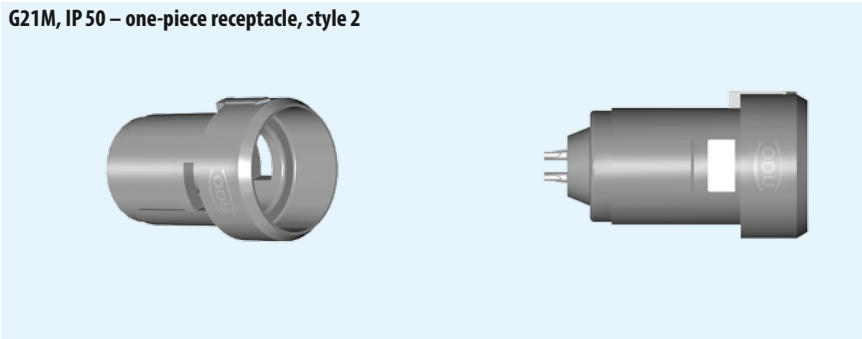
**A51M, IP 67 – one-piece Break-Away connector, style 5**



**Technical data**

- One-piece post made of plastic
- IP 67 with extrusion
- Not allowed for plugging on metal housing
- All numbers of contacts available
- IP 67 in combination with receptacle style 4

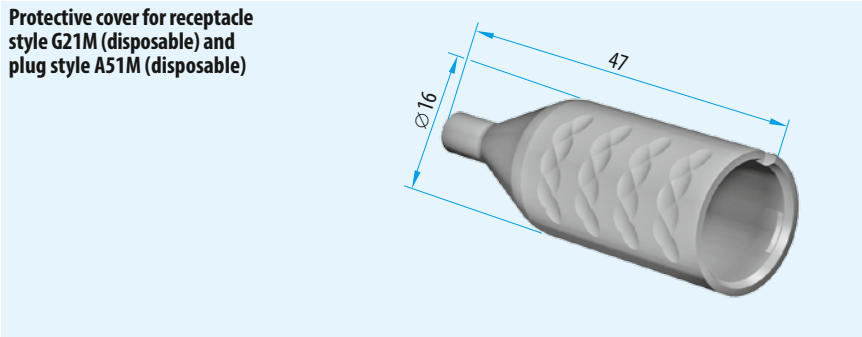
**G21M, IP 50 – one-piece receptacle, style 2**



**Technical data**

- One-piece post made of plastic
- IP 50 to the panel
- Anti-rotation feature
- Snap-in assembly

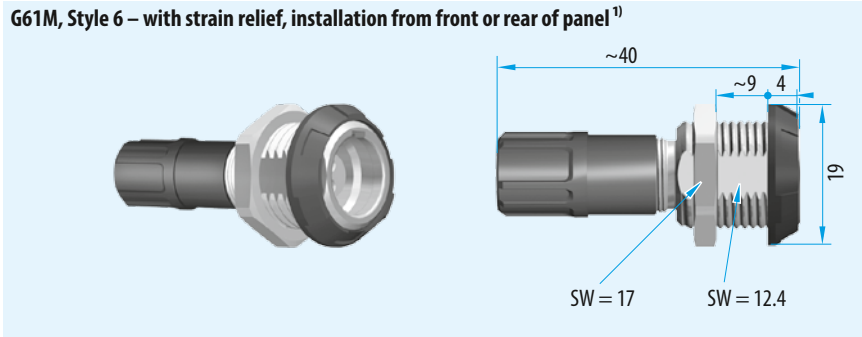
**Protective cover for receptacle style G21M (disposable) and plug style A51M (disposable)**



Break-Away connector mounted with protective cover, IP 50 (page 68)



## Plastic Receptacle IP 50 Size 1

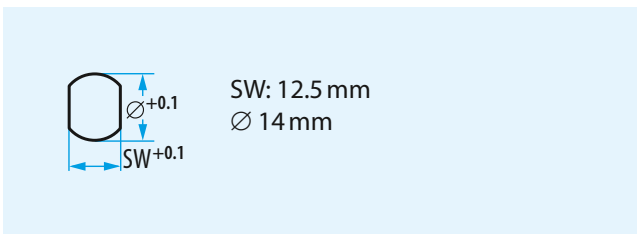


**Technical data**

- IP 50 to the panel
- Anti-rotation feature
- Contact inserts and PCB layouts see from page 41
- With colour coding

<sup>1)</sup> Panel cut-out see below

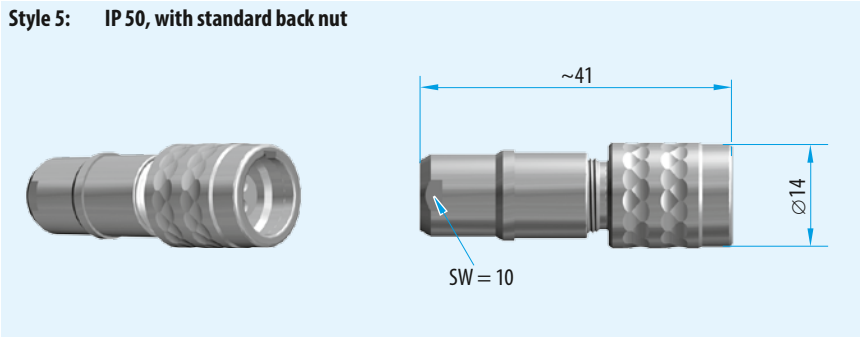
**Panel cut-out (for all receptacles)**





## In-Line Receptacle Metal Housing Size 1

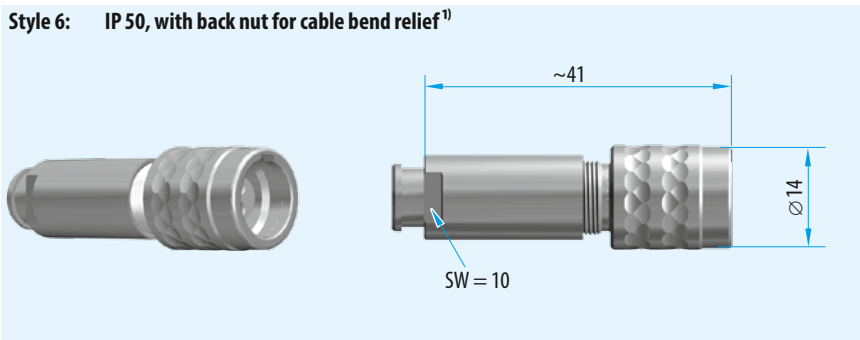
**Style 5: IP 50, with standard back nut**



**Technical data**

- Contact inserts see from page 41
- Explanation to the protection classes see page 68
- Colour coding with back nut possible

**Style 6: IP 50, with back nut for cable bend relief<sup>1)</sup>**



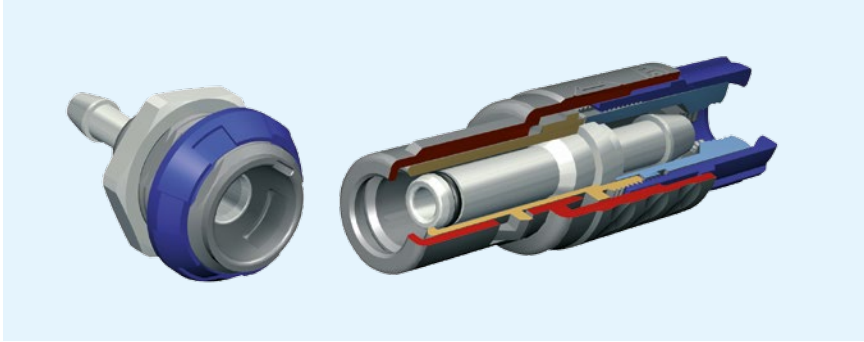
**Technical data**

- Contact inserts see from page 41
- Explanation to the protection classes see page 68

<sup>1)</sup> Cable bend reliefs have to be ordered separately (see page 50).

## Application Specific Applications

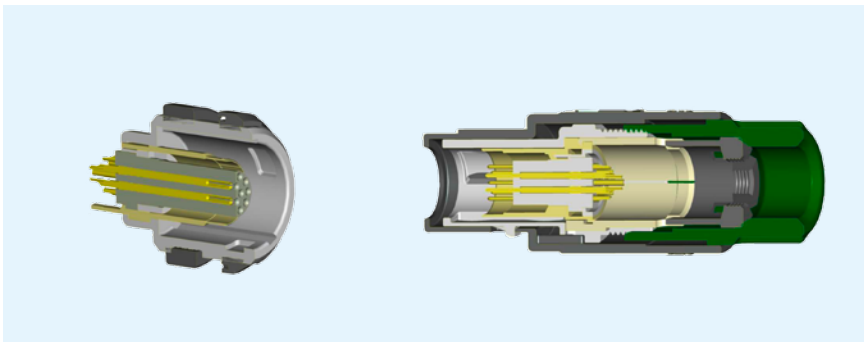
### ODU MEDI-SNAP for media feed through



**Technical data**

- Size 1
- Working pressure: up to 2 bar
- Tube diameter (outside): up to 6.0 mm
- Locking and not locking version available
- Implementation 1.9 or 2.5 mm

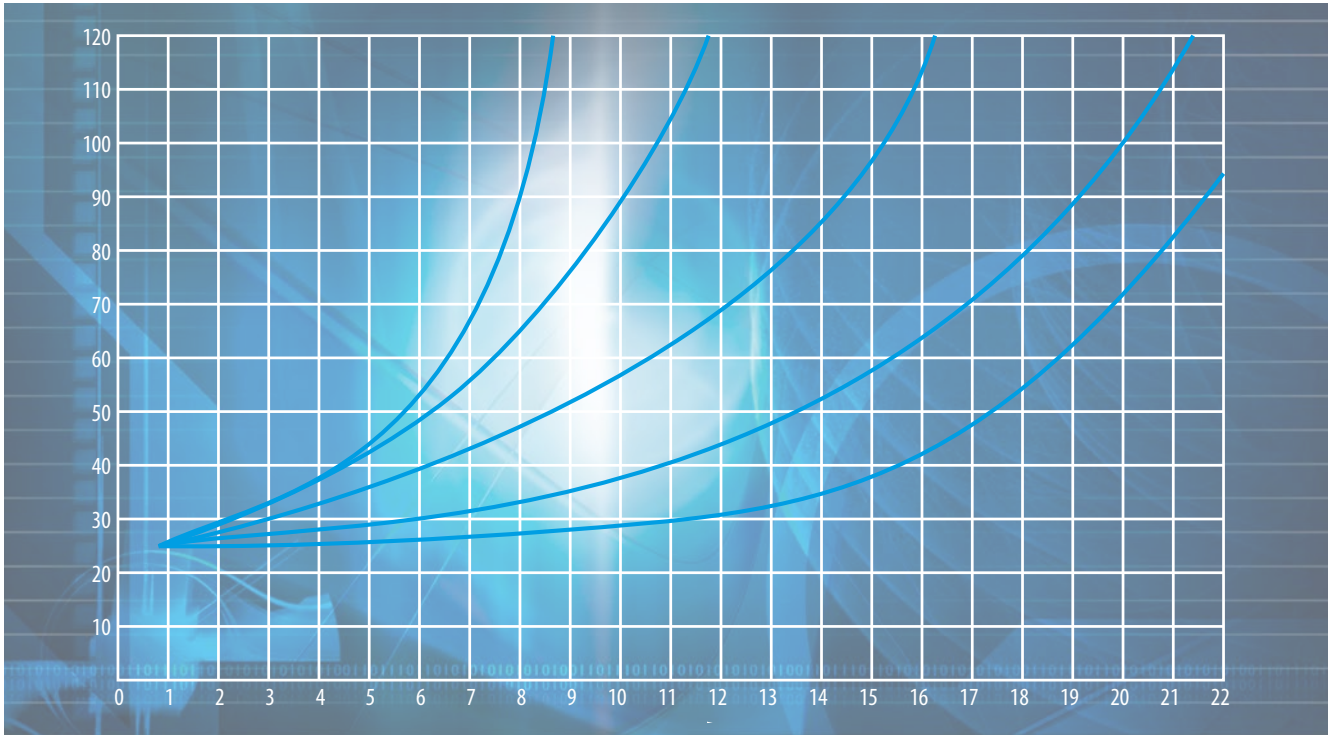
### ODU MEDI-SNAP as shielded plastic connector



**Technical data**

- Housing size 2
- Insert size 1
- Straight plug

## Technical Information



## International Protection (IP) Classes in Accordance with DIN EN 60 529 (or IEC 529 /VDE 0470 T1, respectively)

Code letters (International Protection)		First code number (Protection against solid foreign bodies)		Second code number (Protection against water)			
<b>IP</b>		<b>6</b>		<b>5</b>			
Code number	Extent of protection		Code number	Extent of protection			
<b>0</b>	No protection		No protection against contact, no protection against solid foreign bodies	<b>0</b>	No protection against water	No protection against water	
<b>1</b>	Protection against large foreign bodies		Protection against large-surface contact with the back of the hand, protection against foreign bodies $\varnothing \geq 50$ mm	<b>1</b>	Protection against dripping water		Protection against vertically falling water drops
<b>2</b>	Protection against medium-sized foreign bodies		Protection against contact with the fingers, protection against foreign bodies. $\varnothing \geq 12$ mm	<b>2</b>	Protection against dripping water when tilted		Protection against falling water drops when tilted (any angle up to 15° from the vertical)
<b>3</b>	Protection against small foreign bodies		Protection against contact with tools, wires, or the like with $\varnothing \geq 2.5$ mm, protection against foreign bodies $\varnothing \geq 2.5$ mm	<b>3</b>	Protected against spraying water		Protection against water spraying at any angle up to 60° from the vertical
<b>4</b>	Protection against granular foreign bodies		The same as 3, except $\varnothing \geq 1$ mm	<b>4</b>	Protection against splashing water		Protection against splashing water from all directions
<b>5</b>	Protection against dust deposits		Protection against contact, protection against harmful dust deposit in the interior	<b>5</b>	Protection against water jet		Protection against water jet (nozzle) from any angle
<b>6</b>	Protection against dust ingress		Protection against foreign bodies $\varnothing \geq 1$ mm, protection against dust ingress	<b>6</b>	Protection against powerful water jet		Protection against powerful water jet from any angle
				<b>7</b>	Protection against immersion		Protection against water ingress during temporary immersion
				<b>8</b>	Protection against continuous immersion		Protection against pressurized water during continuous immersion
				<b>9</b>	Protection against high pressure		Protection against water from high-pressure/ steam jet cleaners.

## Housing Materials / Surface Finish

Component parts	Material designation	Surface
Housing Back nut Cable collet Front nut Slotted mounting nut	PSU <sup>1)</sup> PEI <sup>1)</sup>	
Insulator	PEEK	
Hex nut	Brass	Ni
Contacts	Brass	Au

<sup>1)</sup> With all plastic component parts (except insulator) from a complete plug, in-line receptacle or receptacle the material PSU or PEI is used corresponding to the version.

## Material ( RoHS 2011/65/EC recognized)

	Norm	Units	PSU	PEI	PEEK
Fire protection classification	UL94		V-0/4.5	V-0/0.41	V-0/1.5
Operating temperature range		°C	-50 to +170° C	-50 to +170° C	-50 to +250° C
Dielectric strength	D149/IEC60243-	kV/mm	17	27/1.6 (in oil)	19
Creep resistance CTI	IEC 60112		150	150	175
Water absorption	ASTMD570/ISO62	%	0.3	0,25	0.1
Sterilisation (autoclaving)	DIN EN13060	Quantity	~20	>200	>200

## Termination Technologies

Contact blocks (insulators with contacts) are interchangeable between receptacle and plug. As a rule the socket contact blocks are mounted in the part under power. ODU offers the following contact termination technologies:

- Solder
- Crimp
- PCB.

### Termination technologies for turned contacts

#### Solder termination

The contacts come mounted by the factory. The insulator and the pre-assembled contacts are called a contact block.

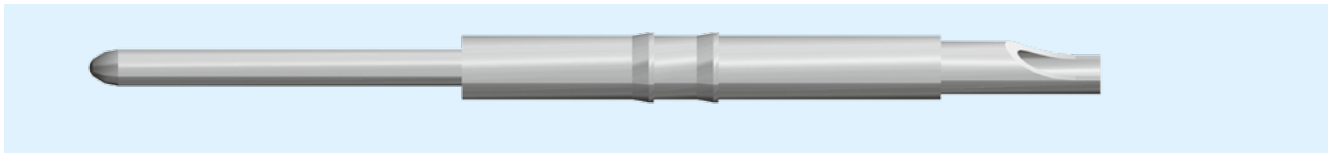
#### Crimp termination

A single contact is crimped to a single conductor. Subsequently, the crimped contact is pushed into the insulator. **Crimp contacts and insulator** are shipped separately. Crimping creates a reliable, corrosion-free and durable connection between the contact and the conductor. Crimping causes the crimp barrel of the contact and the conductor material to cold flow. It creates a gas-tight connection between contact and conductor. The ODU MEDI-SNAP generally requires the industry-standard 8-point crimping tool .

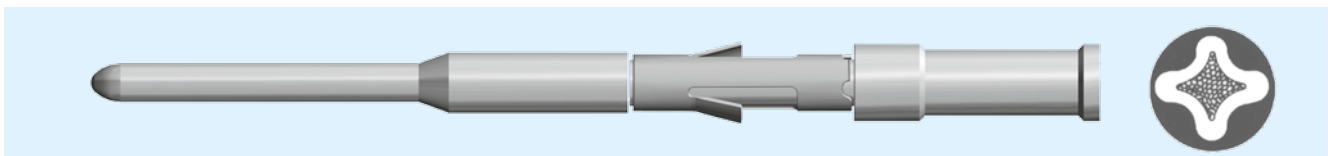
#### Printed circuit board (PCB) termination

PCB pins are used only for receptacles which are mounted directly to the PCB. The contacts are permanently installed in the insulator.

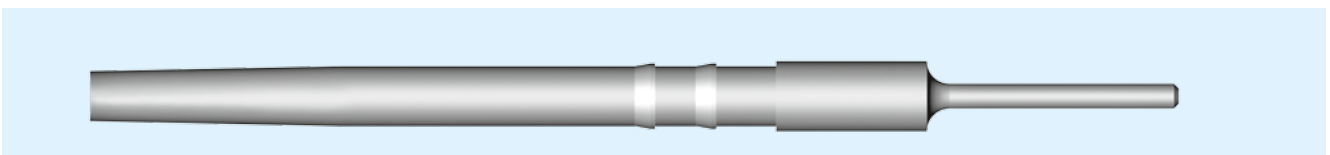
#### Solder termination



#### Crimp termination (Crimp-clip-contact for PEEK Insulator)



#### Printed circuit board (PCB) termination



## Conversions AWG – Cross Section (AWG = American Wire Gauge)

The AWG system describes the cross section of a wire using a gauge number for every 26% increase in conductor cross section. With larger wire diameters, the AWG gauge numbers decrease; as the wire sizes increase, the AWG gauge numbers decrease. **This is only valid for solid conductors.**

Most wires are made with **stranded conductors**. Compared to solid conductors stranded wires offer higher durability, higher flexibility and better performance under bending and vibration.

Stranded wires are made from wires with smaller gauge sizes (higher AWG gauge number). The AWG gauge number of the stranded wire is equal to that of a solid conductor of the same size wire. The cross section of the stranded conductor is the sum of cross sections of the single conductors.

For example, a AWG-20 stranded wire of 7 AWG-28 conductors has a cross section of 0.563 mm<sup>2</sup>; an AWG-20 stranded wire with 19 AWG-32 conductors has a cross section of 0.616 mm<sup>2</sup>.

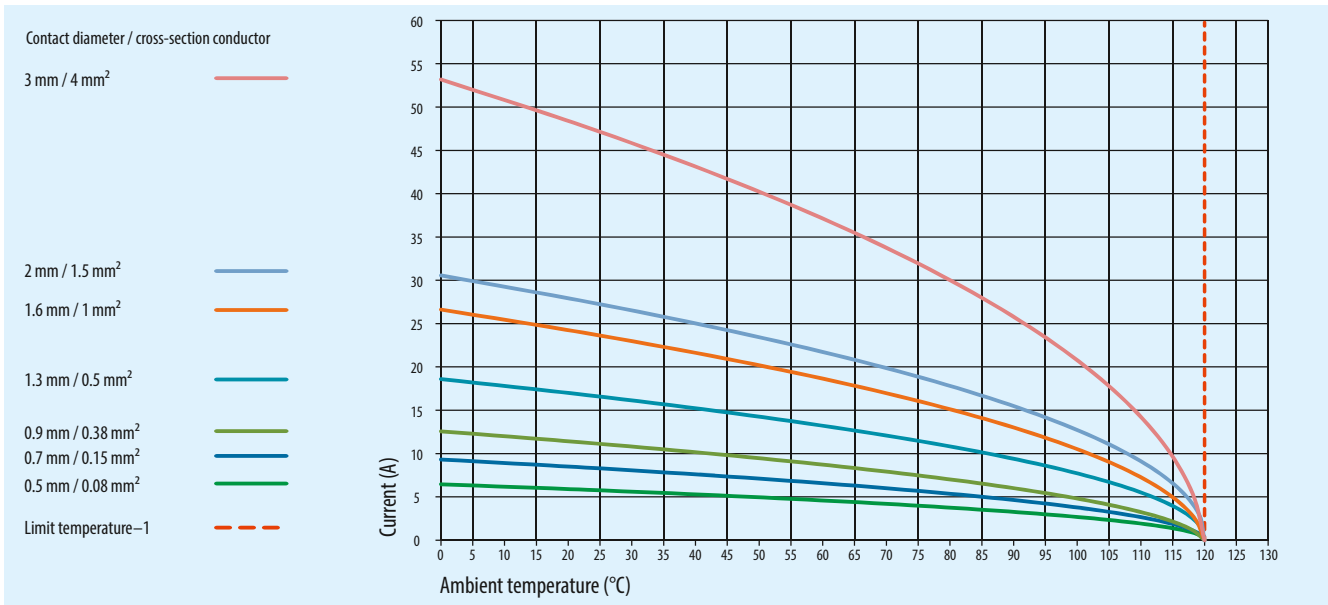
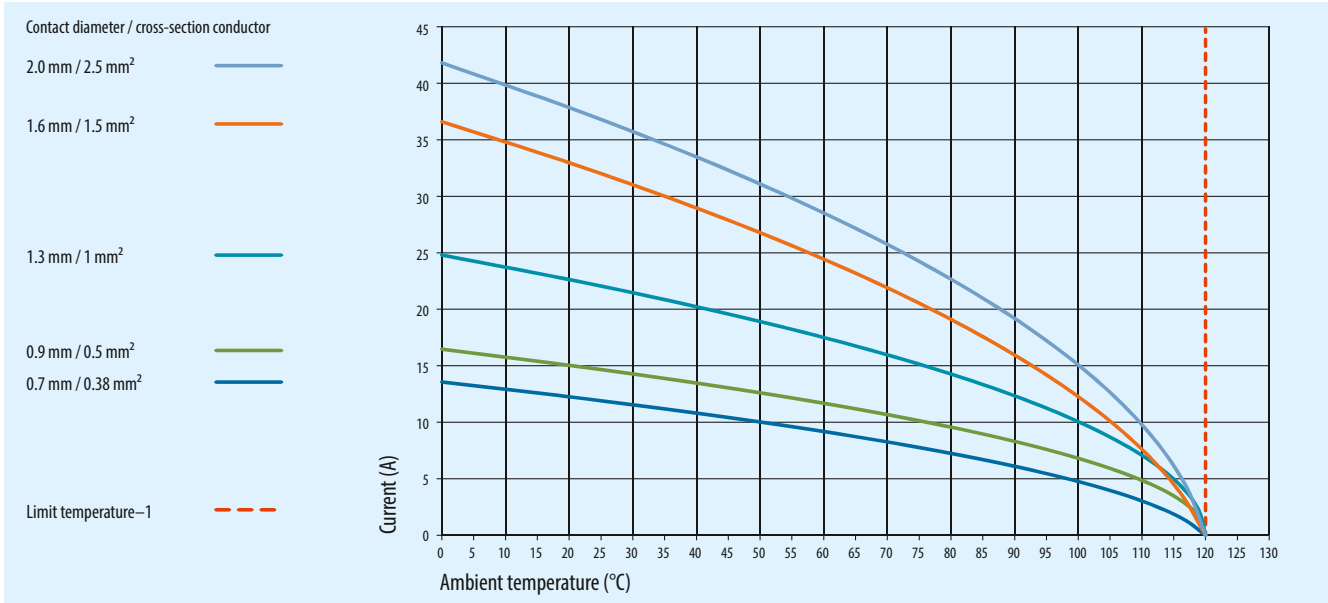
Conversion table AWG/mm<sup>2</sup>

AWG	Circular wire				
	Diameter		Cross section mm <sup>2</sup>	Weight kg/km	Max. resistance Ω/km
	Inch	mm			
10 (1)	0.1020	2.5900	5.2700	47.000	3.45
10 (37/26)	1.1090	2.7500	4.5300	43.600	4.13
12 (1)	0.0808	2.0500	3.3100	29.500	5.45
12 (19/25)	0.0895	2.2500	3.0800	28.600	6.14
12 (37/28)	0.0858	2.1800	2.9700	26.300	6.36
14 (1)	0.0641	1.6300	2.0800	18.500	8.79
14 (19/27)	0.0670	1.7000	1.9400	18.000	9.94
14 (37/30)	0.0673	1.7100	1.8700	17.400	10.50
16 (1)	0.0508	1.2900	1.3100	11.600	13.94
16 (19/29)	0.0551	1.4000	1.2300	11.000	15.70
18 (1)	0.0403	1.0200	0.8200	7.320	22.18
18 (19/30)	0.0480	1.2200	0.9600	8.840	20.40
20 (1)	0.0320	0.8130	0.5200	4.610	35.10
20 (7/28)	0.0366	0.9300	0.5600	5.150	34.10
20 (19/32)	0.0384	0.9800	0.6200	5.450	32.00
22 (1)	0.0252	0.6400	0.3240	2.890	57.70
22 (7/30)	0.0288	0.7310	0.3540	3.240	54.80
22 (19/34)	0.0307	0.7800	0.3820	3.410	51.80
24 (1)	0.0197	0.5000	0.1960	1.830	91.20
24 (7/32)	0.0230	0.5850	0.2270	2.080	86.00
24 (19/36)	0.0252	0.6400	0.2400	2.160	83.30
26 (1)	0.1570	0.4000	0.1220	1.140	147.00
26 (7/34)	0.0189	0.4800	0.1400	1.290	140.00
26 (19/38)	0.0192	0.4870	0.1500	1.400	131.00
28 (1)	0.0126	0.3200	0.0800	0.716	231.00
28 (7/36)	0.0150	0.3810	0.0890	0.813	224.00
28 (19/40)	0.0151	0.3850	0.0950	0.931	207.00
30 (1)	0.0098	0.2500	0.0506	0.451	374.00
30 (7/38)	0.0115	0.2930	0.0550	0.519	354.00
30 (19/42)	0.0123	0.3120	0.0720	0.622	310.00
32 (1)	0.0080	0.2030	0.0320	0.289	561.00
32 (7/40)	0.0094	0.2400	0.0350	0.340	597.10
32 (19/44)	0.0100	0.2540	0.0440	0.356	492.00
34 (1)	0.0063	0.1600	0.0201	0.179	951.00
34 (7/42)	0.0083	0.2110	0.0266	0.113	1,491.00
36 (1)	0.0050	0.1270	0.0127	0.072	1,519.00
36 (7/44)	0.0064	0.1630	0.0161	0.130	1,322.00
38 (1)	0.0040	0.1000	0.0078	0.072	2,402.00
40 (1)	0.0031	0.0800	0.0050	0.043	3,878.60
42 (1)	0.0028	0.0700	0.0038	0.028	5,964.00
44 (1)	0.0021	0.0540	0.0023	0.018	8,660.00

Source: Gore & Associates, Pleinfeld

## Current Load – Contacts

### Nominal single contact current load pin / slotted socket (nominal diameter 0.5 mm – 2.0 mm)



Maximum operating temperature for standard contacts: +120°C  
 Test contact was terminated to largest possible conductor.  
 Connectors or cables with more than one contact or conductor generate a higher heat than a single contact. Therefore, a derating factor must be applied. For connectors the derating factor for multi-conductor cable is applied according to DIN 57 298 part 4 / VDE 0298 part 4.  
 The derating factor is used starting with 5 loaded wires (DIN 41 640 T 3).

#### Derating factor

Number of loaded wires	Derating factor
5	0.75
7	0.65
10	0.55
14	0.50
19	0.45
24	0.40



## Operating Voltage acc. to SAE AS 13441-Method 3001.1 (1998)

The values acc. to SAE AS 13441-method 3001.1 (1998) comply with MIL-Std. 1344 – method 3001. The chart values results are acc. to IEC 60512-2; Test 4a. The inserts have been tested in mated condition and the test voltage was applied to the pin insert.

75 % of the measured break-down voltage is the basic for the further calculation. 1/3 of this value is the corresponding operating voltage.

All tests were performed at standard environment conditions (room temperature) and can be applied up to an altitude of 2,000 m.

For any deviations one has to consider the reduction factor acc. to the relevant standards.

**Test voltage:**  $\text{Break-down voltage} \times 0.75$   
**Operating voltage:**  $\text{Break-down voltage} \times 0.75 \times 0.33$

**Insulation resistance of the insulators**  
 $> 1 \times 10^{12} \Omega$  (DIN EN 60512-3-1)

### Caution

Electrical appliances: for various applications the safety requirements regarding the operating voltage is even more severe! The relevant datas in such cases for the operating voltage are the creepage and clearance distances.

For any advise how to choose the proper connector please consult us and indicate the safty standard which your product has to meet.

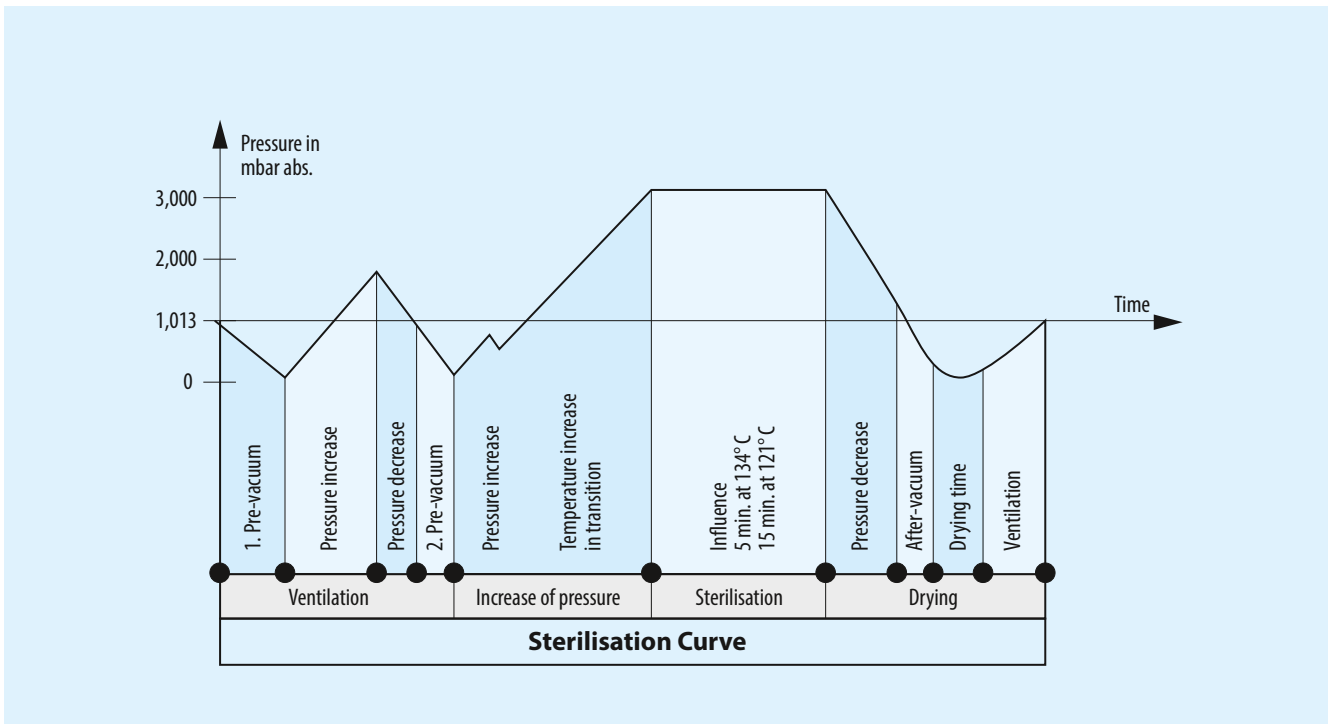
## Autoclaving of the ODU MEDI-SNAP®

If required ODU can deliver ODU MEDI-SNAP connectors for the following sterilisation process: Steam-sterilisation with pre-vacuum or gravitation-process. Connectors were tested with autoclave equipment with reference to DIN EN 13060 at 134° C and 200 cycles (housing elements made of PEI).

For other sterilisation-processes please contact the appropriate indoor service.

**With PSU housing 20 autoclave cycles**  
**With PEI housing 200 autoclave cycles**

### Sterilisation curve



## Technical Terms / Definitions / Information

### Autoclavability

See page [74](#)

### AWG

See page [71](#)

### Basis curve

Current carrying capacity curve for connectors as determined by measurement according to the measurement procedure described in DIN EN 60512-5-2:2002 depending on the permissible limit temperature of the materials.

### Chemical resistance

Adhesives, cleaners, or other chemicals are used on our products in a large number of further processing steps. Inappropriate chemicals may chemically damage the material structure and result in material breakage of the plastic bodies. Please follow our processing recommendations and technical instructions in this catalog.

### Clearance distance

Shortest distance between two conductive elements through the air.

### Connector

A component which terminates conductors for the purpose of providing connection and disconnection to a suitable mating component. Depending on the fastening to a cabinet, panel, rack, etc. or a cable, they are classification.

### Contact resistance

Total resistance from termination to termination. The contact resistance here is considerably less than the volume resistance. The values given are average values.

### Creepage distances

Shortest distances between live parts on the surface of insulators. All elevations and depressions in the insulator are taken into account as far as specified minimum dimensions are available.

### Crimp barrel

A hollow part of a contact which accepts one or more conductors and which may be crimped through the application of a crimping tool.

### Crimp termination

The permanent attachment of a contact to a conductor by pressure deformation or by reshaping the crimp barrel around the conductor so that a good electrical and mechanical connection is established.

### Crimping area

The part of a crimp barrel at which the crimp connection is achieved by pressure deformation or by reshaping the barrel around the conductor.

### Current carrying capacity

#### (nominal current and max. continuous current)

The information refers to sufficiently dimensioned connection cable in accordance with DIN VDE 0295 (DIN EN 60228) in class 5, so that no stronger temperature increase is caused from here. The specified temperature increase takes place through the contact. The information provided refers to average values.

### Delivery

Delivery of the connectors usually as components (that means not assembled). Exception: Solder contacts are factory-installed in the insulator.

### Derating curve

The corrected current carrying capacity curve, derived from the established basis curve (0.8 x measured current). It takes into consideration production spreads as well as uncertainties in the temperature measurement and the measurement setup.

### Derating measurement procedure (DIN EN 60512-5-2)

Measurement procedure for determining the current carrying capacity of connectors, taking the maximum permissible limit temperature into consideration.

### Fixed connectors

A connector for attachment to a rigid surface (panel).

### Free connectors

A connector for attachment to the free end of a wire or cable.

### Insertion or withdrawal force

The force required to fully mate or unmate a set of connectors without the effect of coupling, locking or similar devices. The insertion force is usually greater than the withdrawal force. Also called mating and unmating force.

### Insulator

Part of a connector, usually identical to the contact carrier.

### Keying (orientation)

System of projections and grooves on mating connectors which prevent otherwise identical connectors from being mated. This is useful when several connectors of the same style are used in the same application.

### Lower limit temperature

The lowest permissible temperature which a connector or a plug-in device is allowed to be operated.  
At ODU MEDI-SNAP  $-40^{\circ}\text{C}$ .

### Lubrication

The contacts are pre-lubricated at the factory.

### Materials

The contacts are made of Cu-alloy and gold-plated. The standard housings are made of Cu-alloy with a matt chrome plated surface finish. All other materials and surfaces on special request (see also page [69](#)).

### Mating cycles

Mechanical operation of connectors and plug-in devices by insertion and withdrawal. One mating cycle comprises one insertion and one withdrawal operation. An empirical value for ODU MEDI-SNAP is 2,000 mating cycles.

### Max. continuous current

The metrologically determined current intensity at room temperature (approx.  $20^{\circ}\text{C}$ ) that leads to a rise in the contact temperature to the limit temperature.

### Nominal current

See rated current

### Nominal single contact current load

Current load, which can load every single contact.

### Nominal voltage

The voltage stated for a connector by the manufacturer; this is used as a reference for the operating and performance characteristics.

### Operating temperature for the ODU MEDI-SNAP

Range between upper and lower temperature limits.  
 $-50^{\circ}\text{C}$  to  $+120^{\circ}\text{C}$  (see page [72](#)).

### Operating voltage

The nominal voltage of the current source for which the connector is intended for use. The operating voltage is not permitted to be greater than the connectors nominal voltage.

### PCB (printed circuit board)

Boards, typically made of epoxy-filled glass fiber fabric, with conductive pattern on one or both sides, or in case of multilayer boards, also imbedded inside the board. They feature metallized holes for soldering wire-mounted components or for the insertion of resilient or rigid press-in pins or instead, pads for attaching components using surface mount technology (SMT).

### PCB termination

See page [70](#)

### Plug device

Operating materials that are permitted to be inserted or separated during the intended use (when energized or electrically charged).

### Rated current (IEC 61984)

The metrologically determined current intensity that leads to an increase of  $45^{\circ}$  Kelvin in the contact temperature. The current is determined according to the derating measurement procedure (DIN EN 60512-5-2:2002) and is derived from the basis curve.

### Rated voltage

The voltage according to which the connectors are dimensioned and to which the particular operating properties are related.

### Reference voltage

The standardized voltage (VDE 0110 or DIN EN 60664-1) for which a connectors insulation is dimensioned.

### Solder termination

Termination technology in which a melted added metal (solder), whose melting temperature is less than that of the base metals to be connected, is used to join two metallic materials.

### Surge current

One-time power pulse current with a load period of 10 ms.

### Termination cross-section

The indicated cross-sections correspond to a flexible conductor design in accordance with EN 60228:2005 class 5 or to a flexible conductor design (7/19 strands) in accordance with AWG (ASTM B258-02).

### Termination technologies

Methods for connecting a wire to an electro-mechanical component, e.g. solderless connection according to DIN EN 60352: respectively such as crimp, press-in, etc. or solder connections.

### Test voltage

The voltage the connectors are tested, and are being referred on definite characteristics.

### Upper limit temperature

Highest permissible temperature at which a connector or a plug-in device is allowed to operate. This temperature includes the self-heating and the ambient temperature.  
At ODU MEDI-SNAP  $+120^{\circ}\text{C}$ .

### Watertightness (DIN EN 60529)

See page [68](#)

**Wire**

Wires may be provided with an insulation cover, an electrical shielding. Cables or conductors may consist of one or more wires.

Care must be taken to assure that no person can come in contact with live conductors during installation or operation of the connectors.

All entries were reviewed with maximum care before this catalogue was printed. ODU reserves the right to change design and performance of any product to meet changing technical developments without prior notice. ODU reserves the right to discontinue any part in this catalog without prior notice and without obligation to continue production after the change.



## Company Information



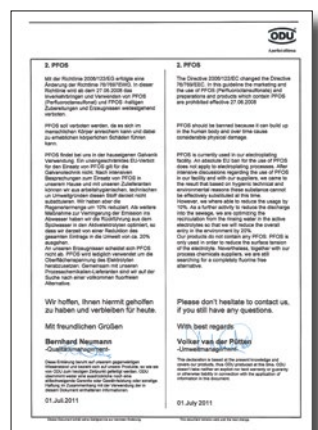
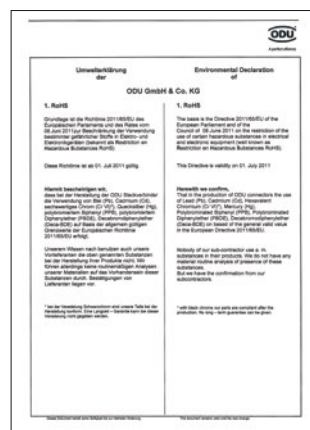
## Quality Management and Certifications

ODU has had a powerful quality management system in place for years. ODU has been successfully certified to ISO 9001 since 1994. In addition, the automotive sector of the company group is certified to ISO TS 16949. The certification process was carried out by the internationally active BVQI (Bureau Veritas Certification) company.

ODU is also certified according to the medical standard ISO 13485:2003 + AC:2007.

Additional to this ODU is certified to DIN EN ISO 14001:2009 as well as to different certifications: VDE, UL, UL wiring harness, SCA, VG, MIL.

ODU-USA is registered with the DDTC and able to complete ITAR restricted manufacturing projects





## Your Partner in Many Application Areas

ODU stands for quality, flexibility and reliability. This is why customers working in many application areas rely on ODU products in markets such as the following:

- Medical
- Industrial
- Measuring and testing
- Military and security
- Energy
- Automotive.



## Overview – All Push-Pull Connector Series from ODU

	Push-Pull series	Coding	Sizes	No. of mechanical coding	Diameter plug (mm)	Max. cable Ø (mm)	Max. no. of contacts	Solder	Crimp	Print	IP Protection Class A <sup>1)</sup>	IP Protection Class B <sup>2)</sup>
ODU MINI-SNAP L		Pin and groove	00	4	6.5	3.5	04				IP 50	up to IP 68
			0	6	9.5	5.6	10					
			1	7	12.0	7.7	16	●	●	●		
			2	8	15.0	9.9	26					
			3	7	18.0	11.9	30					
			4	1	25.0	16.0	40					
ODU MINI-SNAP K		Pin and groove	0	4	11.0	5.0	10				IP 68	up to IP 68
			1		13.0	7.0	16					
			2		16.0	9.0	26	●	●	●		
			3		19.0	10.5	30					
			4		25.0	14.0	40					
ODU MINI-SNAP B		Pin and groove	0	6	9.4	5.0	10				IP 68	up to IP 68
			1	8	12.0	7.0	16	●	●	●		
			2	9	15.0	9.0	26					
			3	10	18.0	10.5	30					
ODU MINI-SNAP S		Insulation body	0	1	9.4	5.0	04				up to IP 68	up to IP 68
			1		12.0	7.0	05	●	●			
			2		15.0	9.0	10					
ODU MINI-SNAP F		Half shell	0	3	9.4	5.0	09				up to IP 68	up to IP 68
			1	2	12.0	7.0	12					
			1.5	2	13.0	7.5	19	●	●	●		
			2	3	15.0	9.0	19					
			3	3	18.0	10.5	27					
ODU AMC		Pin and groove	0	4	14.0	5.5	10				up to IP 69K	IP 68
			1		15.9	6.5	16					
			1.5		16.5	8.0	19	●		●		
			2		19.6	10.0	26					
			3		23.9	11.5	37					
ODU MINI-SNAP PC		Half shell	1	3	12.5	6.0	14				up to IP 67	IP 50
			2	2	15.7	9.0	19	●	●	●		
			3	3	18.7	10.5	27					
ODU MEDI-SNAP		Pin and groove	1	6	13.7	6.5	14				up to IP 64	IP 50
			2	1	18.5	9.2	26	●	●	●		

<sup>1</sup> IP Protection Class in mated condition.

<sup>2</sup> IP Protection Class in unmated condition to the end device.

## The Complete ODU Product Range

<p>Single contacts (round or flat)</p>			
<p>High current connectors</p>			
<p>Circular connectors with Push-Pull locking</p>			
<p>Modular rectangular connectors</p>			
<p>PCB connectors</p>			
<p>Robust connectors</p>			
<p>Disposable Systems</p>			
<p>Application specific solutions</p>			
<p>AMC – Advanced Military Connector</p>			
<p>Cable assembly</p>			

## Everything From One Source

Each connection needs its individual cable. Make no compromises when it comes to the quality of the complete connection system. ODU gives you the complete system solution from one source, with no intermediary suppliers.

Cable assembly is a very complex subject. It requires equal measures of expertise in the areas of connectors, cables and assembly. ODU meets all these requirements in full.

Our competent assembly team tests the complete system according to your specifications. Our assembly service promises you the same quality found in our connectors – without compromises.

### ODU offers you all from one source

- 100 % final inspections
- Production in clean room acc. to EN ISO14644-1 possible
- Automatic processes (cutting, stripping, attaching)
- Extrusion possible with a hot-melt and high pressure/temperature process
- Ultrasound welding
- EMC-compatible assembly
- Application specific labeling
- Widest range of potting possibilities for sealed systems
- Extruded cable crossovers.

### Advantages for the customer

- Modern manufacturing facilities in Mühldorf (Germany), Shanghai (China) and Sibiu (Romania)
- Reliability thanks to our company-wide quality strategy
- Products with durability and functional reliability
- Production according to UL (file: E333666) possible
- Inspections, such as crimp force monitoring, during production.



## Application Specific Connectors



Innovative, dynamic markets call for innovative connectors.

As an expert for special applications and requirements, we develop forward-looking, appropriate connectors attuned to your needs!

In spite of the global trend toward standardized connectors, there are always applications that call for an application specific solution. We accept this challenge and

develop innovative products for our customers based on our many years of extensive know-how, our creativity and, not least, our high level of vertical integration. Technology access and technology mastery, combined with intensive cooperation with the user, form the basis for achieving success together.

Design-to-cost is joined by design-for-application for the customer's benefit.



**Telefax Inquiry ODU MEDI-SNAP®**

**Fax-No.: +49 8631 6156-49**

**Order by online generator:**  
www.odu.de

ODU GmbH & Co. KG  
Pregelstr. 11  
84453 Mühldorf a. Inn  
GERMANY

Company: .....  
Name: .....  
Department: .....  
Street: .....  
City: .....  
Phone: ..... Date: .....

**ODU MEDI-SNAP® Summary of Technical Requirements**

- 1) Connector application \_\_\_\_\_
- 2) Environment \_\_\_\_\_
- 3) Connector type  Plug  Receptacle  In-line receptacle  
 90° plug  90° receptacle
- 4) Special version / variation \_\_\_\_\_
- 5) Style \_\_\_\_\_
- 6) Size  1 (metal/plastic)  2 (plastic)
- 7) Coding \_\_\_\_\_
- 8) Number of contacts \_\_\_\_\_
- 9) Termination type  Solder  Crimp  PCB
- 10) Termination cross-section \_\_\_\_\_ mm<sup>2</sup> \_\_\_\_\_ AWG
- 11) Cable diameter \_\_\_\_\_ mm
- 12) Cable bend relief (colour) \_\_\_\_\_  PUR  Silicone
- 13) Protection class acc. DIN EN 60 529  IP 50 (standard)  IP 64  IP 67  other
- 14) Requirement: operating temperature \_\_\_\_\_ °C max. \_\_\_\_\_ °C min.
- 15) Electrical specs:  
Rated Voltage \_\_\_\_\_ V AC \_\_\_\_\_ V DC  
Rated current \_\_\_\_\_ A (constant) \_\_\_\_\_ A (short-term) \_\_\_\_\_ sec.
- 16) Chemical resistance against \_\_\_\_\_
- 17) Other requirements \_\_\_\_\_
- 18) Autoclaveable, 134° C  Yes  No
- Required quantity \_\_\_\_\_
- Production quantity \_\_\_\_\_

## The Part Number Key

No.	Description	Coding	Page	1	2	3	4	5	6	7	8	9	10	11	12	13	14	15	16	17	18	19
1	Type: Plug Receptacle  In-line receptacle Right-angled plug Break-Away connector	S G  K W A	<a href="#">12, 23, 32</a> <a href="#">15, 16, 24,</a> <a href="#">25, 33</a> <a href="#">14</a> <a href="#">13</a> <a href="#">63</a>				M			-	P											
2	Style	1, 2, 4 and 5 G, K, S, W	<a href="#">12 – 16,</a> <a href="#">23 – 25,</a> <a href="#">32 – 33</a>																			
3	Size	1 or 2	<a href="#">41 – 43, 45</a>																			
4	Series	M																				
5	Coding		<a href="#">18, 28, 36</a>																			
6	Housing material / colour		<a href="#">18, 28, 36</a>																			
8	Material insulator	P = PEEK	<a href="#">40, 41,</a> <a href="#">42, 43</a>																			
9 10	Contact insert (2 positions)		<a href="#">41 – 43</a>																			
11	Contact type / surface		<a href="#">44</a>																			
12	Contact diameter		<a href="#">45</a>																			
13 14	Termination cross-section (2 positions)		<a href="#">45</a>																			
16 17	Cable collet system (2 positions)		<a href="#">19, 20, 29,</a> <a href="#">30, 37</a>																			
18	Colour coding		<a href="#">19, 29, 37</a>																			
19	Back nut		<a href="#">12 – 14,</a> <a href="#">23, 32</a>																			

### Order example receptacle

1	2	3	4	5	6	7	8	9	10	11	12	13	14	15	16	17	18	19
G	1	1	M	A	7	-	P	0	6	L	F	D	0	-	0	0	6	0

- 1 = Plug
- 2 = Style 1
- 3 = Size 1
- 4 = Series ODU MEDI-SNAP
- 5 = Coding 40°
- 6 = Plastic housing PSU grey
  
- 8 = Insulator PEEK
- 9/10 = 6 positions
- 11 = Socket contact in solder termination
- 12 = Contact diameter 0.7 mm
- 13/14 = AWG 26
  
- 16/17 = No cable collet system required at the receptacle
- 18 = Colour coding blue
- 19 = No back nut required at the receptacle



Please open



## **ODU GmbH & Co. KG**

Pregelstr. 11  
84453 Mühldorf a. Inn  
Germany

Phone: +49 8631 6156-0  
Fax: +49 8631 6156-49  
E-Mail: [zentral@odu.de](mailto:zentral@odu.de)

## **ODU Denmark**

Phone: +45 2233 5335  
E-Mail: [odu.denmark@odu.de](mailto:odu.denmark@odu.de)

## **ODU France**

Phone: +33 1 3935-4690  
E-Mail: [odu@odu.fr](mailto:odu@odu.fr)

## **ODU Italia**

Phone: +39 3318 7088 47  
E-Mail: [sales@odu-italia.it](mailto:sales@odu-italia.it)

## **ODU Scandinavia**

Phone: +46 176 18261  
E-Mail: [sales@odu.se](mailto:sales@odu.se)

## **ODU Shanghai Trading**

Phone: +86 21 58347828-106  
E-Mail: [oduchina@odu.com.cn](mailto:oduchina@odu.com.cn)

## **ODU UK**

Phone: +44 1509-266-433  
E-Mail: [sales@odu-uk.co.uk](mailto:sales@odu-uk.co.uk)

## **ODU USA**

Phone: +1 805 4840540  
E-Mail: [sales@odu-usa.com](mailto:sales@odu-usa.com)

**Other qualified representatives  
shown on our website:  
[www.odu.de/sales](http://www.odu.de/sales)**